



XH SERIES HIGH-VOLTAGE LITHIUM BATTERY FORKLIFT

with capacity of 2,000 to 3,800kg



ZHEJIANG HANGCHA IMP. & EXP. CO., LTD.

Factory site: 666 Xiangfu Road, Hangzhou, Zhejiang, China (311305)

Tel: +86-571-88926735 88926755
Fax: +86-571-88926789 88132890

sales@hcforklift.com
www.hcforklift.com

| | | | |
|-----------------------|----------------------|---|---------------------------------|
| | | | |
| Follow us on Facebook | Follow us on YouTube | Follow us on WeChat | Download "Hangcha Forklift" App |
| | | | |
| ISO14001:2015 | ISO9001:2015 | HANGCHA trucks conform to the European Safety Requirements. | |

2023 VERSION 3/COPYRIGHT 2023 /08

HANGCHA GROUP CO., LTD. reserves the right to make any changes without notice concerning colors, equipment, or specifications detailed in this brochure, or to discontinue individual models. The colors of trucks, delivered may differ slightly from those in brochures.

The World of Hangcha



VOLTAGE

309 V

100% CHARGE FOR

1 Hour

WATER RESISTANCE

IPX4

SPEED MODELS

3

PROTECTION RATE

IP67

THE *Plus*
FOR YOUR
BUSINESS



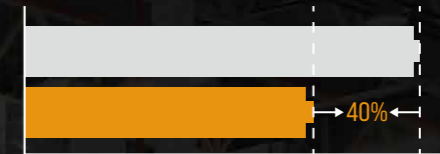
COMMITTED TO IMPROVING

FASTER & MORE EFFICIENT

Compared with low-voltage lithium battery forklifts, high-voltage lithium battery technology can save about 40% of the overall cost during the service cycle.

40%

Low Voltage Lithium Battery Forklift
Hangcha High Voltage Lithium Electric Forklift



Compared with fuel forklifts, high-voltage lithium battery technology can save about 90% of the overall cost during the service cycle.

90%

Fuel Forklift
Lithium Electric Forklift



4000

CYCLES OF CHARGING



Under normal charging and discharging conditions, the lithium battery of Hangcha products has a capacity retention rate of more than 75% and a life span of up to 10 years after 4000 cycles of charging and discharging.

POWER PERFORMANCE COMPARISON

| | High Voltage Lithium Electric Forklift | Fuel Forklift |
|---|--|---------------|
| Travel speed, laden/unladen | 21/21.5km/h | 15-20km/h |
| Lift speed, laden/unladen | 435/500mm/s | 430/470mm/s |
| Max. gradeability, S2=5min, laden/unladen | 20%/25% | 15%-20% |

Through disruptive battery and fast charging technology, the charging time is greatly shortened.

Get the battery fully charge:



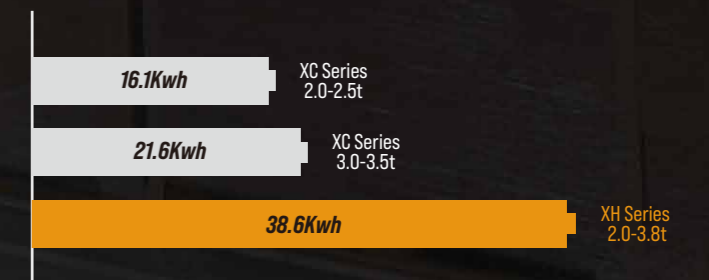
Hangcha High Voltage Electric Forklift



Electric Forklift

Fast charging makes it possible for the whole vehicle to work continuously, shortening the waiting time and greatly improving efficiency.

Battery capacity



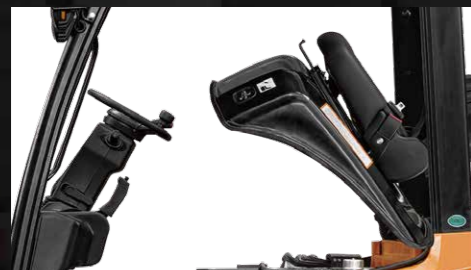
XH Series High-voltage Lithium Battery Forklift

Independently developed by Hangcha on the basis of decades of deep understanding of electric forklifts and internal combustion forklifts, the dedicated XH series high voltage lithium battery forklifts are a new series of electric counterweight forklifts with a new energy vehicle voltage platform and a pioneered special structure that represents a breakthrough over the traditional design concept. Representing a redefinition of electric forklifts in terms of efficiency, power, reliability, etc., this series of electric forklift models will supersede the internal combustion forklifts.



Exterior

/ With the inherited exterior design of the dedicated XC lithium battery forklift and a smooth and sturdy profile, the whole vehicle is impact, elegant, stylish, sturdy and powerful.



Maintainability

/ Equipped with a lock, the hood designed to be back-flipped open to and facilitate charging, liquid replenishment and maintenance.
/ The water tank lid can be removed quickly and easily without a tool to enable a large operating area for cleaning and maintenance.

Comfort

/ The wide-view mast with optimized design is unlikely to obstruct the operator's line of sight. The enlarged opening size of the fork carriage enables a wider view, a large operation space, and excellent ergonomic design.
/ The multifunctional color-screen instruments are designed to have graphical interfaces and display data clearly. Three speed gears are provided to adapt to different operating environments. The interfaces can be switched to be shown in Chinese and English to meet the needs of customers at home and abroad.
/ The enlarged brake pedal and appropriate regenerative braking function can effectively reduce the driver's fatigue.



Wide-view mast



Multifunctional color-screen instruments



INTELLIGENT. INTUITIVE. INNOVATIVE.



Advancement

- / Both the drive and operating systems are vehicle-grade permanent magnet synchronization systems, equipped with a high-speed ratio gearbox with a driving speed, upslope degree and acceleration performance rival that of internal combustion vehicles, and the environmental performance better than that of internal combustion vehicles.
- / The vehicle uses an overall controller, and the drive system and operating system are assembled with motors electronically controlled, to form a highly independent light, efficient, and intelligent drive system.
- / The vehicle's 309V high-voltage platform is equipped with a long-lasting large-capacity lithium battery, which is powerful, efficient and energy-saving, adopts a super-fast charging technology that enables a short charging time.
- / A water-cooling system with a good heat dissipation effect is used on a new energy forklift for the first time, so that the forklift can absolutely carry out long-time and high-intensity operations as internal combustion forklifts.



Safety

- / The cover of the vehicle is designed to be sealed to the water resistance level of IPX4. All the motor, electronic controls and high-voltage components reach the dust and water resistance level of IP67, a high protection level adequate to withstand harsh operating environments and ensure safety and reliability.
- / The electrical system is equipped with high-voltage interlocks, and insulation detection, insulation monitoring and vehicle-grade safety means. The MSD maintenance switch enables one-click power-down and safer maintenance.
- / The standard configuration provides electronic control functions for buffering the fork's descending and ascending to better protect goods.
- / The handbrake can be optionally equipped with an alarm buzzer to prompt the driver to pull up the handbrake before leaving the vehicle.
- / The optional descending lock function can disable the descending function when the driver leaves the seat and enable high safety.



Standard Specification

- / Multi-function color-screen combination instrument
- / Large integral rubber pedal pads
- / Standard duplex mast, fork, fork carriage and load backrest
- / Stamped iron hood, stamped iron side plates
- / Stamped stainless steel boarding step
- / The gas spring of the hood with a touch-proof mechanism
- / Handbrake with a touch-proof mechanism
- / Integrated fuse box
- / Charging muzzle meeting national standards
- / Reverse buzzer
- / Lithium battery pack
- / Low temperature electric heating systems
- / Permanent magnet AC traction motor controller
- / Permanent magnet AC oil pump motor controller
- / DC-DC power supply
- / VCU controller
- / MSD maintenance switch
- / Emergency power off switch
- / Mileage display, operating time display
- / Load sensing steering system
- / Turning deceleration function
- / Soft landing
- / SPE power selection
- / Electronic water pump
- / Electronic fan
- / Heat dissipater
- / Expansion tank
- / Double multi-way valve
- / Low noise gear pump
- / Traction pin
- / LED combination headlights, LED rear combination three-color taillights

Options

- / Solid tire
- / Left and right rear-view mirrors
- / Reversing video
- / Front/rear blue lights
- / Rear operation lights
- / Lithium battery charger
- / Cold storage
- / Reverse armrest (with a horn button)
- / OPS system
- / Triple multi-way valve
- / Quadruple multi-way valve
- / Quintuple multi-way valve
- / Widened / heightened load backrest
- / Widened fork carriage
- / Forks of other lengths
- / Free duplex mast
- / Free triplex mast
- / Built-in side shifter
- / Accessories for other specifications
- / Grammer MSG531 suspended seat
- / Start with a PIN code or by swiping a card
- / Coloring solid environmentally friendly seamless tire
- / Fork ascending buffering
- / Fingertip control system
- / Toolbox, folder



Optional battery list

| Capacity (Ah) | 2.0-3.8t 309V(CATL) | 2.0-3.8t 307V(EVE) |
|---------------|---------------------|--------------------|
| 105 | | ○ |
| 125 | ● | |
| 150 | ○ | |

Note: ● Standard battery capacity; ○ Optional battery capacity

2.0-2.5t Mast Specification

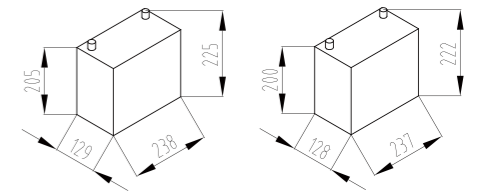
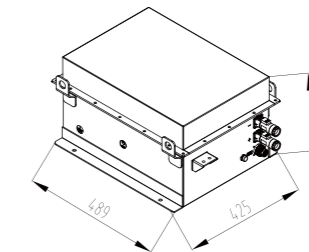
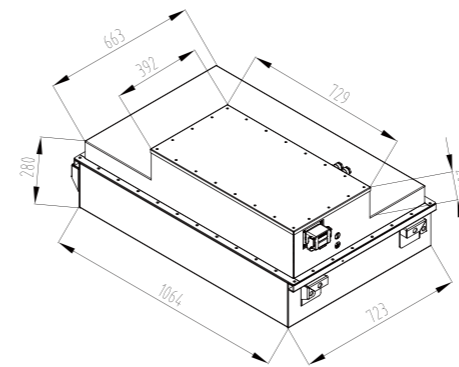
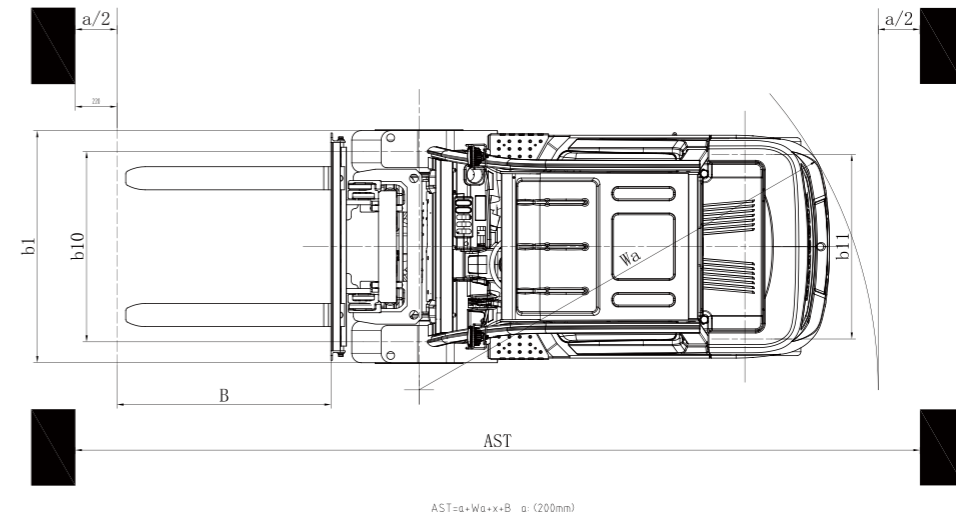
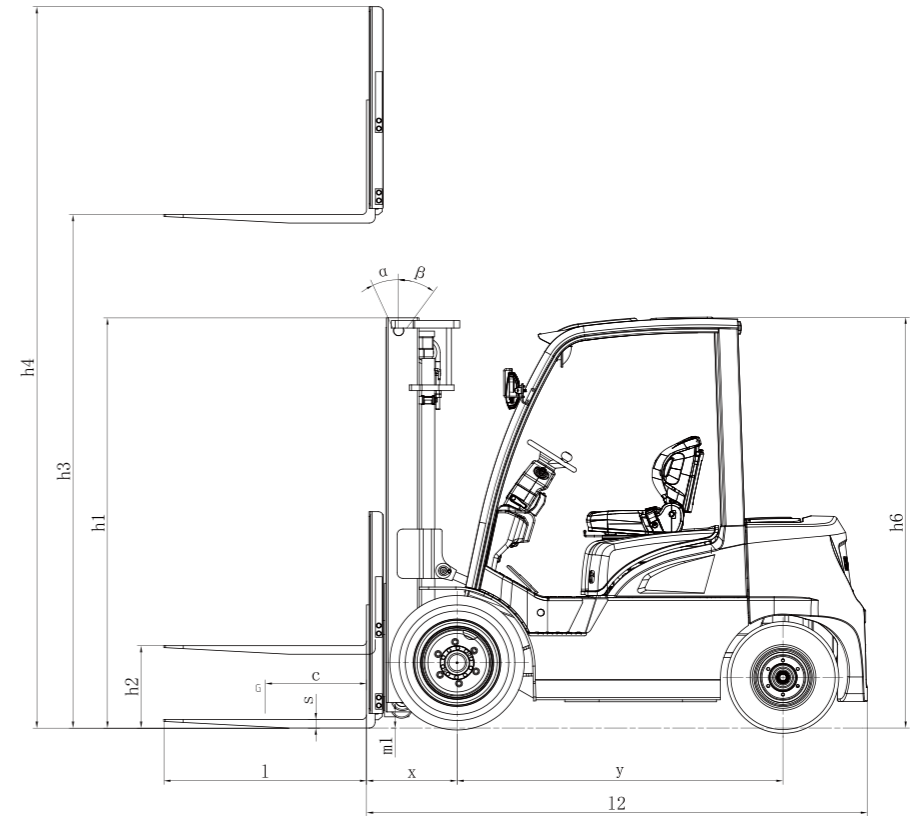
| Type | Model | Lifting height mm | Lowered overall height mm | Overall height | | Free lifting height | | Tilt range F/R (°) | Capacity Load center@500mm | | | |
|--------------------------------|------------|----------------------|------------------------------|---------------------|------------------------|---------------------|------------------------|--------------------------|-------------------------------|------------|-------------|------------|
| | | | | With backrest mm | Without backrest mm | With backrest mm | Without backrest mm | | Single tire | | Double tire | |
| | | | | | | | | | 2.0t kg | 2.5t kg | 2.0t kg | 2.5t kg |
| 2-stage wide view mast | XIPY25M200 | 2000 | 1498 | 2706 | 3046 | 150 | 150 | 6/6 | 2000 | 2500 | 2000 | 2500 |
| | XIPY25M250 | 2500 | 1748 | 3206 | 3546 | 150 | 150 | 6/12 | 2000 | 2500 | 2000 | 2500 |
| | XIPY25M270 | 2700 | 1848 | 3406 | 3746 | 150 | 150 | 6/12 | 2000 | 2500 | 2000 | 2500 |
| | XIPY25M300 | 3000 | 1998 | 3706 | 4046 | 150 | 150 | 6/12 | 2000 | 2500 | 2000 | 2500 |
| | XIPY25M330 | 3300 | 2148 | 4006 | 4346 | 150 | 150 | 6/12 | 2000 | 2500 | 2000 | 2500 |
| | XIPY25M360 | 3600 | 2348 | 4306 | 4646 | 150 | 150 | 6/12 | 2000 | 2500 | 2000 | 2500 |
| | XIPY25M400 | 4000 | 2598 | 4706 | 5046 | 150 | 150 | 6/12 | 2000 | 2500 | 2000 | 2500 |
| | XIPY25M430 | 4300 | 2748 | 5006 | 5346 | 150 | 150 | 6/6 | 2000 | 2500 | 2000 | 2500 |
| | XIPY25M450 | 4500 | 2848 | 5206 | 5546 | 150 | 150 | 6/6 | 2000 | 2450 | 2000 | 2500 |
| | XIPY25M480 | 4800 | 2998 | 5506 | 5846 | 150 | 150 | 6/6 | 1950 | 2350 | 2000 | 2450 |
| | XIPY25M500 | 5000 | 3098 | 5706 | 6046 | 150 | 150 | 6/6 | 1850 | 2300 | 1950 | 2350 |
| | XIPY25M550 | 5500 | 3348 | 6206 | 6546 | 150 | 150 | 3/6 | 1750 | 2150 | 1900 | 2200 |
| XIPY25M600 | 6000 | 3598 | 6706 | 7046 | 150 | 150 | 3/6 | 1550 | 1900 | 1800 | 2000 | |
| 2-stage full-free lifting mast | XIPY25U250 | 2500 | 1783 | 3238 | 3546 | 1045 | 737 | 6/12 | 2000 | 2500 | 2000 | 2500 |
| | XIPY25U270 | 2700 | 1883 | 3438 | 3746 | 1145 | 837 | 6/12 | 2000 | 2500 | 2000 | 2500 |
| | XIPY25U300 | 3000 | 2033 | 3738 | 4046 | 1295 | 987 | 6/12 | 2000 | 2500 | 2000 | 2500 |
| | XIPY25U330 | 3300 | 2183 | 4038 | 4346 | 1445 | 1137 | 6/12 | 2000 | 2500 | 2000 | 2500 |
| | XIPY25U360 | 3600 | 2333 | 4338 | 4646 | 1595 | 1287 | 6/12 | 2000 | 2500 | 2000 | 2500 |
| | XIPY25U400 | 4000 | 2583 | 4738 | 5046 | 1845 | 1537 | 6/12 | 2000 | 2500 | 2000 | 2500 |
| 3-stage full-free lifting mast | XIPY25N400 | 4000 | 1963 | 4738 | 5046 | 1225 | 917 | 6/6 | 2000 | 2500 | 2000 | 2500 |
| | XIPY25N430 | 4300 | 2063 | 5038 | 5346 | 1325 | 1017 | 6/6 | 2000 | 2450 | 2000 | 2500 |
| | XIPY25N450 | 4500 | 2113 | 5238 | 5546 | 1375 | 1067 | 6/6 | 2000 | 2350 | 2000 | 2450 |
| | XIPY25N470 | 4700 | 2213 | 5438 | 5746 | 1475 | 1167 | 6/6 | 1950 | 2250 | 2000 | 2350 |
| | XIPY25N480 | 4800 | 2263 | 5538 | 5846 | 1525 | 1217 | 6/6 | 1950 | 2250 | 2000 | 2350 |
| | XIPY25N500 | 5000 | 2363 | 5738 | 6046 | 1625 | 1317 | 6/6 | 1850 | 2150 | 1950 | 2250 |
| | XIPY25N550 | 5500 | 2563 | 6238 | 6546 | 1825 | 1517 | 3/6 | 1750 | 2050 | 1900 | 2100 |
| | XIPY25N600 | 6000 | 2813 | 6738 | 7046 | 2075 | 1767 | 3/6 | 1550 | 1850 | 1800 | 1950 |
| | XIPY25N650 | 6500 | 3013 | 7238 | 7546 | 2275 | 1967 | 3/6 | / | / | 1550 | 1800 |
| | XIPY25N700 | 7000 | 3263 | 7763 | 8046 | 2500 | 2217 | 3/6 | / | / | 1150 | 1450 |

3.0-3.8t Mast Specification

| Type | Model | Lifting height mm | Lowered overall height mm | Overall height | | Free lifting height | | Tilt range F/R (°) | Capacity Load center@500mm | | | | | |
|--------------------------------|------------|----------------------|------------------------------|---------------------|------------------------|---------------------|------------------------|--------------------------|-------------------------------|------------|------------|-------------|------------|------------|
| | | | | With backrest mm | Without backrest mm | With backrest mm | Without backrest mm | | Single tire | | | Double tire | | |
| | | | | | | | | | 3.0t kg | 3.5t kg | 3.8t kg | 3.0t kg | 3.5t kg | 3.8t kg |
| 2-stage wide view mast | XIPY35M200 | 2000 | 1665 | 2856 | 3159 | 145 | 150 | 6/6 | 3000 | 3500 | 3800 | 3000 | 3500 | 3800 |
| | XIPY35M250 | 2500 | 1915 | 3356 | 3659 | 145 | 150 | 6/12 | 3000 | 3500 | 3800 | 3000 | 3500 | 3800 |
| | XIPY35M270 | 2700 | 2015 | 3556 | 3859 | 145 | 150 | 6/12 | 3000 | 3500 | 3800 | 3000 | 3500 | 3800 |
| | XIPY35M300 | 3000 | 2165 | 3856 | 4159 | 145 | 150 | 6/12 | 3000 | 3500 | 3800 | 3000 | 3500 | 3800 |
| | XIPY35M330 | 3300 | 2315 | 4156 | 4459 | 145 | 150 | 6/12 | 3000 | 3500 | 3800 | 3000 | 3500 | 3800 |
| | XIPY35M360 | 3600 | 2465 | 4456 | 4759 | 145 | 150 | 6/12 | 3000 | 3500 | 3800 | 3000 | 3500 | 3800 |
| | XIPY35M400 | 4000 | 2765 | 4856 | 5159 | 145 | 150 | 6/12 | 3000 | 3500 | 3750 | 3000 | 3500 | 3800 |
| | XIPY35M430 | 4300 | 2915 | 5156 | 5459 | 145 | 150 | 6/6 | 3000 | 3400 | 3600 | 3000 | 3500 | 3700 |
| | XIPY35M450 | 4500 | 3015 | 5356 | 5659 | 145 | 150 | 6/6 | 3000 | 3300 | 3450 | 3000 | 3400 | 3550 |
| | XIPY35M480 | 4800 | 3165 | 5656 | 5959 | 145 | 150 | 6/6 | 2950 | 3200 | 3300 | 3000 | 3300 | 3400 |
| | XIPY35M500 | 5000 | 3265 | 5856 | 6159 | 145 | 150 | 6/6 | 2850 | 3100 | 3200 | 2900 | 3200 | 3300 |
| | XIPY35M550 | 5500 | 3515 | 6356 | 6659 | 145 | 150 | 3/6 | 2670 | 3000 | 3100 | 2750 | 3100 | 3200 |
| XIPY35M600 | 6000 | 3765 | 6856 | 7159 | 145 | 150 | 3/6 | 2350 | 2650 | 2750 | 2500 | 2800 | 2900 | |
| 2-stage full-free lifting mast | XIPY35U250 | 2500 | 1930 | 3405 | 3659 | 1025 | 771 | 6/12 | 3000 | 3500 | 3800 | 3000 | 3500 | 3800 |
| | XIPY35U270 | 2700 | 2030 | 3605 | 3859 | 1125 | 871 | 6/12 | 3000 | 3500 | 3800 | 3000 | 3500 | 3800 |
| | XIPY35U300 | 3000 | 2180 | 3905 | 4159 | 1275 | 1021 | 6/12 | 3000 | 3500 | 3800 | 3000 | 3500 | 3800 |
| | XIPY35U330 | 3300 | 2380 | 4205 | 4459 | 1425 | 1171 | 6/12 | 3000 | 3500 | 3800 | 3000 | 3500 | 3800 |
| | XIPY35U360 | 3600 | 2480 | 4505 | 4759 | 1575 | 1321 | 6/12 | 3000 | 3500 | 3800 | 3000 | 3500 | 3800 |
| | XIPY35U400 | 4000 | 2730 | 4905 | 5159 | 1825 | 1571 | 6/12 | 3000 | 3500 | 3750 | 3000 | 3500 | 3800 |
| 3-stage full-free lifting mast | XIPY35N400 | 4000 | 2065 | 4905 | 5159 | 1160 | 906 | 6/6 | 3000 | 3400 | 3650 | 3000 | 3500 | 3750 |
| | XIPY35N430 | 4300 | 2165 | 5205 | 5459 | 1260 | 1006 | 6/6 | 3000 | 3300 | 3500 | 3000 | 3400 | 3600 |
| | XIPY35N450 | 4500 | 2215 | 5505 | 5659 | 1310 | 1056 | 6/6 | 3000 | 3200 | 3350 | 3000 | 3300 | 3450 |
| | XIPY35N470 | 4700 | 2315 | 5605 | 5859 | 1410 | 1156 | 6/6 | 2900 | 3100 | 3200 | 2950 | 3200 | 3300 |
| | XIPY35N480 | 4800 | 2365 | 5705 | 5959 | 1460 | 1208 | 6/6 | 2900 | 3100 | 3200 | 2950 | 3200 | 3300 |
| | XIPY35N500 | 5000 | 2465 | 5905 | 6159 | 1560 | 1306 | 6/6 | 2850 | 3100 | 3200 | 2900 | 3200 | 3300 |
| | XIPY35N550 | 5500 | 2665 | 6405 | 6659 | 1760 | 1506 | 3/6 | 2670 | 3000 | 3100 | 2750 | 3100 | 3200 |
| | XIPY35N600 | 6000 | 2915 | 6905 | 7159 | 2010 | 1756 | 3/6 | 2350 | 2650 | 2750 | 2500 | 2800 | 2900 |
| | XIPY35N650 | 6500 | 3165 | 7405 | 7659 | 2260 | 2006 | 3/6 | / | / | / | 2200 | 2400 | 2500 |
| | XIPY35N700 | 7000 | 3415 | 7905 | 8159 | 2510 | 2256 | 3/6 | / | / | / | 1850 | 2050 | 2150 |

XH Series High-voltage Lithium Battery Forklift Specification

| Distinguishing mark | HANGCHA GROUP CO., LTD. | | | | | | | | | |
|---------------------|---|--|---|--------------------------|-----------------|-----------------|-----------------|-----------------|-------------|--|
| | 1.1 | Manufacturer | | CPD20-XY2G-SI24 | CPD25-XY2G-SI24 | CPD30-XY2G-SI24 | CPD35-XY2G-SI24 | CPD38-XY2G-SI24 | | |
| 1.2 | Manufacturer's type designation | | | | | | | | | |
| 1.3 | Drive: electric (battery or mains), diesel, petrol, fuel gas | | Electric | Electric | Electric | Electric | Electric | Electric | | |
| 1.4 | Operator type: hand, pedestrian, standing, seated, order-picker | | Seated | Seated | Seated | Seated | Seated | Seated | | |
| 1.5 | Rated capacity/rated load | Q (kg) | 2000 | 2500 | 3000 | 3500 | 3800 | | | |
| 1.6 | Load centre distance | c (mm) | 500 | 500 | 500 | 500 | 500 | | | |
| 1.8 | Load distance, centre of drive axle to fork | x (mm) | 464 | 464 | 479 | 484 | 484 | | | |
| 1.9 | Wheelbase | y (mm) | 1700 | 1700 | 1720 | 1720 | 1720 | | | |
| Weight | 2.1 | Service Weight | kg | 3670 | 3900 | 4570 | 4800 | 5030 | | |
| | 2.2 | Axle loading, laden front/rear | kg | 4930/740 | 5710/690 | 6620/950 | 7400/900 | 7840/990 | | |
| | 2.3 | Axle loading, unladen front/rear | kg | 1785/1885 | 1780/2120 | 1915/2655 | 1900/2900 | 1865/3165 | | |
| Tyres, chassis | 3.1 | Tyres: solid rubber, superelastic, pneumatic, polyurethane | | Pneumatic | Pneumatic | Pneumatic | Pneumatic | Pneumatic | | |
| | 3.2 | Tyre size, front | | 7.00-12-12PR | 7.00-12-12PR | 28×9-15-14PR | 28×9-15-14PR | 28×9-15-14PR | | |
| | 3.3 | Tyre size, rear | | 6.00-9-10PR | 6.00-9-10PR | 6.50-10-10PR | 6.50-10-10PR | 6.50-10-10PR | | |
| | 3.5 | Wheels, number front / rear (x = driven wheels) | | 2x/2 | 2x/2 | 2x/2 | 2x/2 | 2x/2 | | |
| | 3.6 | Tread, front | b10(mm) | 968 | 968 | 1005 | 1005 | 1005 | | |
| | 3.7 | Tread, rear | b11(mm) | 975 | 975 | 975 | 975 | 975 | | |
| | Dimensions | 4.1 | Tilt of mast/fork carriage forward/backward | $\alpha/\beta(^{\circ})$ | 6/12 | 6/12 | 6/12 | 6/12 | 6/12 | |
| 4.2 | | Height, mast lowered | h1(mm) | 1998 | 1998 | 2165 | 2165 | 2165 | | |
| 4.3 | | Free lift | h2(mm) | 140 | 140 | 145 | 150 | 150 | | |
| 4.4 | | Lift | h3(mm) | 3000 | 3000 | 3000 | 3000 | 3000 | | |
| 4.5 | | Height, mast extended | h4(mm) | 3970 | 3970 | 4065 | 4065 | 4065 | | |
| 4.7 | | Height of overhead guard (cabin) | h6(mm) | 2165 | 2165 | 2167 | 2167 | 2167 | | |
| 4.8 | | Seat height/stand height | h7(mm) | 1165 | 1165 | 1167 | 1167 | 1167 | | |
| 4.12 | | Coupling height | h10(mm) | 503 | 503 | 505 | 505 | 505 | | |
| 4.19 | | Overall length | l1(mm) | 3605 | 3605 | 3715 | 3720 | 3760 | | |
| 4.20 | | Length to face of forks | l2(mm) | 2535 | 2535 | 2645 | 2650 | 2690 | | |
| 4.21 | | Overall width | b1(mm) | 1195 | 1195 | 1225 | 1225 | 1225 | | |
| 4.22 | | Fork dimensions | s/e/l (mm) | 40/122/1070 | 40/122/1070 | 45/122/1070 | 50/122/1070 | 50/122/1070 | | |
| 4.24 | | Fork-carriage width | bs(mm) | 1038 | 1038 | 1100 | 1100 | 1100 | | |
| 4.25 | | Distance between fork-arms | bs(mm) | 226/1008 | 226/1008 | 290/1100 | 290/1100 | 290/1100 | | |
| 4.31 | | Ground clearance, laden, below mast | m1(mm) | 118 | 118 | 135 | 135 | 135 | | |
| 4.32 | | Ground clearance, centre of wheelbase | m2(mm) | 137 | 137 | 139 | 139 | 139 | | |
| 4.34.1 | | Aisle width for pallets 1000 x 1200 crossways | Ast1(mm) | 4024 | 4024 | 4099 | 4104 | 4144 | | |
| 4.34.2 | | Aisle width for pallets 800 x 1200 lengthways | Ast2(mm) | 3824 | 3824 | 3899 | 3904 | 3944 | | |
| 4.35 | | Turning radius | Wa(mm) | 2360 | 2360 | 2420 | 2420 | 2460 | | |
| Performance data | | 5.1 | Travel speed, laden/unladen | km/h | 21/21.5 | 21/21.5 | 21/21.5 | 21/21.5 | 21/21.5 | |
| | | 5.2 | Lift speed, laden/unladen | m/s | 0.62/0.66 | 0.62/0.66 | 0.445/0.5 | 0.445/0.5 | 0.445/0.525 | |
| | 5.3 | Lowering speed, laden/unladen | m/s | 0.41/0.42 | 0.41/0.42 | 0.41/0.42 | 0.41/0.42 | 0.415/0.450 | | |
| | 5.6 | Max. Drawbar pull, laden/unladen | N | 19000 | 19000 | 19000 | 19000 | 22000 | | |
| | 5.8 | Max. gradeability, laden/unladen | % | 25/25 | 25/25 | 20/25 | 20/25 | 20/25 | | |
| | 5.10 | Service brake | | Hydraulic | Hydraulic | Hydraulic | Hydraulic | Hydraulic | | |
| | Parking brake | | Mechanical | Mechanical | Mechanical | Mechanical | Mechanical | | | |
| Electric-engine | 6.1 | Drive motor rating S2 60 min | kW | 20AC | 20AC | 20AC | 20AC | 20AC | | |
| | 6.2 | Lift motor rating at S3 15% | kW | 24AC | 24AC | 24AC | 24AC | 24AC | | |
| | 6.4 | Battery voltage, nominal capacity K5 | V/Ah | 309/125 | 309/125 | 309/125 | 309/125 | 309/125 | | |
| | 6.5 | Battery weight | kg | 395 | 395 | 395 | 395 | 395 | | |
| | | Battery dimensions | l/b/h(mm) | 1144/723/414 | 1144/723/414 | 1144/723/414 | 1144/723/414 | 1144/723/414 | | |
| | | Max. battery weight | kg | 395 | 395 | 395 | 395 | 395 | | |
| | Min. battery weight | kg | 470 | 470 | 470 | 470 | 470 | | | |
| 8.1 | Type of drive unit | | AC | AC | AC | AC | AC | | | |
| 9.1 | Manufacturer/Type | | Enpower/MC3902 | Enpower/MC3902 | Enpower/MC3902 | Enpower/MC3902 | Enpower/MC3902 | | | |
| Addition data | 10.1 | Operating pressure for attachments | bar | 185 | 185 | 185 | 185 | 185 | | |
| | 10.8 | Towing coupling, type DIN 15170 | | Φ 25 Pin | Φ 25 Pin | Φ 30 Pin | Φ 30 Pin | Φ 30 Pin | | |



Dimension of lithium battery main box

Dimension of lithium battery secondary box

12V battery size

PERFORMANCE REDEFINED

