



ZHEJIANG HANGCHA IMP. & EXP. CO., LTD.

Factory site: 666 Xiangfu Road,
Hangzhou, Zhejiang, China (311305)

Tel: +86-571-88926735 88926755
Fax: +86-571-88926789 88132890

sales@hcforklift.com
www.hcforklift.com



Follow us on
Facebook



Follow us on
YouTube



Follow us on
WeChat



Download "Hangcha
Forklift" App



ISO14001
ISO14001:2015



ISO9001
ISO9001:2015



HANGCHA trucks conform
to the European Safety
Requirements.

2023 VERSION ©COPYRIGHT 2023/04

HANGCHA GROUP CO., LTD. reserves the right to make any changes without notice concerning colors, equipment, or specifications detailed in this brochure, or to discontinue individual models. The colors of trucks, delivered may differ slightly from those in brochures.



XE Series Electric Forklift Truck With Lithium Power

with capacities of 1,500 to 3,800kg

The World of Hangcha



XE Series Electric Forklift Truck With Lithium Power

XE series lithium battery forklifts are high quality products developed by Hangcha on the basis of the advantages of "lithium battery special structure" and "permanent magnet synchronous technology". It has two models, one is standard model and the other is heavy-duty model. Following the family design of electric forklifts, they are provided with some key parts compatible with internal combustion forklifts, and optimized mainly on the overall performance, ergonomics, reliability, maintenance, outdoor operation ability and load capacity in a bid to meet customers' use scenarios of internal combustion forklifts. The heavy-duty model is capable of meeting the application demand of users in heavy-duty working conditions.



Stylish exterior

- / Following the family exterior design of XH and XC lithium battery forklifts;
- / Boasting smooth and powerful contour lines, and simple and elegant vehicle body, and presenting both fashion and steadiness as a whole.

Comfortable experience

- / With the advantages of lithium battery forklifts, this ergonomically designed forklift enables a wide view and a large operation space.
- / The color-screen instruments are designed to have clear and intuitive graphic interfaces.
- / The optional electronic handbrake allows more comfortable driving experience.

Flexible scenarios

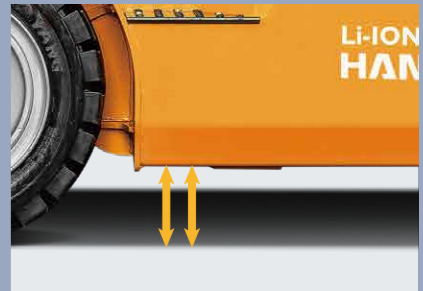
- / Smooth travel: ground clearance increased, to adapt to outdoor rough roads;
- / Flexible turning: turning radius reduced, to allow flexible shuttling in indoor environments such as cold store (optional);
- / No fear of cold: the battery equipped with standard electric heating module, to ensure normal operation in cold weather;
- / No fear of wind and rain: IPX4 for the whole forklift, to easily achieve water resistance of rainstorm level.

Energy-saving and efficient

- / An efficient high-torque motor together with a high speed ratio gearbox significantly improves the travel speed, gradeability and lifting speed;
- / The air-cooled fan built in the travel and lifting motors allow better heat dissipation and more thorough performance realization;
- / Oil pump reducers are introduced in the oil pump devices for the first time, enabling the lifting motor to work in a more efficient and more energy-saving manner;
- / The 80V double permanent magnet synchronous motor system allows higher power density, and through deep matching of the gearbox, motors and electronic controls, reduces the energy consumption by 15% to 20% than that of the traditional asynchronous motor models in the same working conditions.



Double permanent magnet synchronous motor system



Ground clearance increased



Ergonomically designed forklift enables a wide view



Turning radius reduced

Reliable and durable

- / The enhanced drive axle and gearbox with the mast, steering axles with tapered roller bearing (for the heavy-duty model) and big tires for internal combustion forklifts can meet the demand of application in heavy-duty working conditions;
- / Low center of gravity and high load margin are designed for more stable working;
- / Verified in accordance with double standards of electric forklifts and internal combustion forklifts, with the enhanced test strength higher than that for the internal combustion standard, this forklift is reliable and durable.

Optional battery list

Capacity(Ah) Hangcha	1.5/1.8/ mini2.0t 80V	2.0/2.5t 80V	3.0/3.5/3.8t 80V	3.0/3.5/3.8t H1 80V
160	●	○	/	/
230	○	●	●	/
304	○	○	○	/
460	/	○	○	●
560	/	/	/	○
608	/	/	/	○

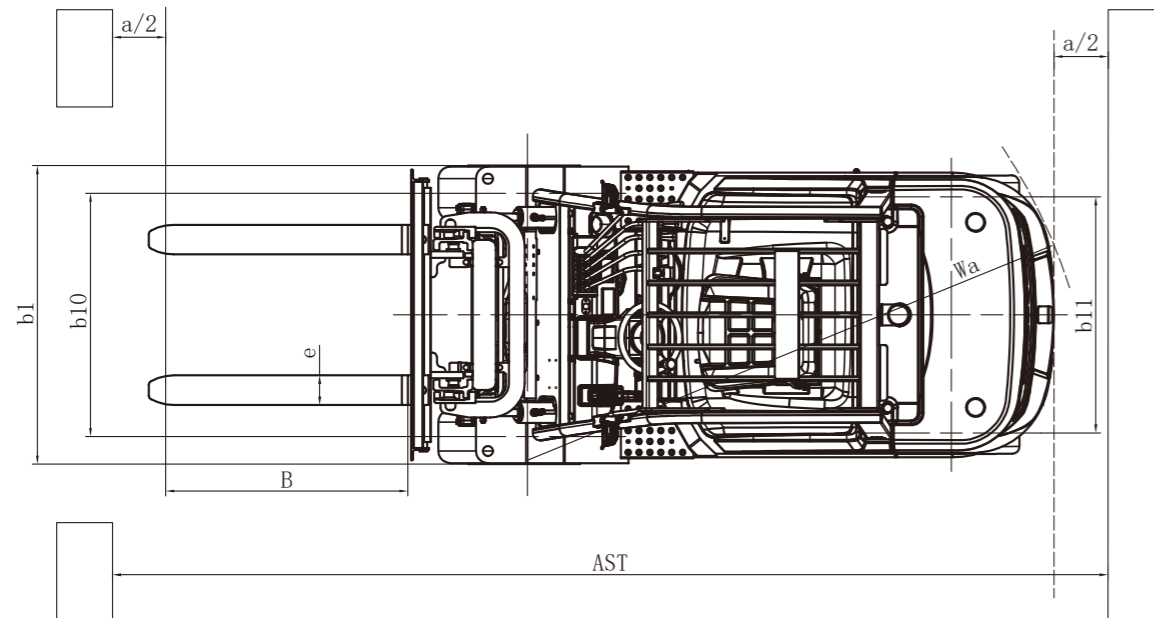
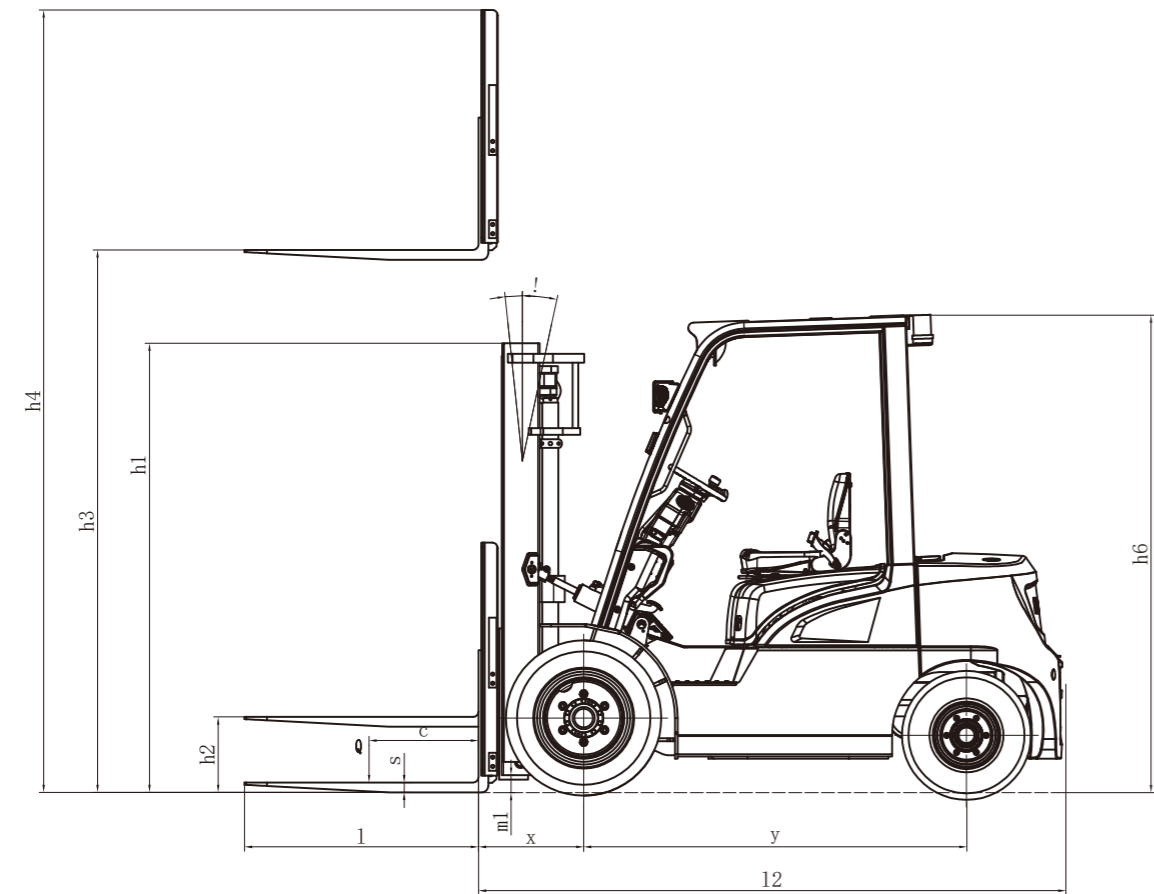
Capacity(Ah) CATL	1.5/1.8/ mini2.0t 80V	2.0/2.5t 80V	3.0/3.5/3.8t 80V	3.0/3.5/3.8t H1 80V
228	○	○	/	/
302	○	○	○	/
456	/	○	○	○
604	/	/	/	○

Note: ● Standard battery capacity; ○ Optional battery capacity;

Configuration

NO.	Configuration	Standard configuration	Optional
1	Color	Yellow-black	Other customized color
2	Particular market	/	CE Standard
3	Cold storage environment	/	-18°C -30°C
4	Mast	Standard duplex mast	Configuration Table of the Mast
5	Fork and attachment	Standard fork Fork arm carrier Load backrest	Non-standard series fork Various attachments
6	Tires	Pneumatic tire (single)	Pneumatic tire (dual) Solid tire (single) Solid tire (dual)
7	Multiway valve	Double multi-way valve	Triple valve Quadruple valve Quintuple valve
8	Tiller	Lifting and tilting joystick	Thumb switch
9	Battery	Standard lithium battery	Large-capacity lithium battery Quick-change lithium battery
10	Light	LED head lamp Turn signal lamp LED rear combination lamp	Common alarm lamp Acoustic and optical alarm lamp LED rear lamp Blue light Straight projection lamp
11	Horn	Electric horn Reverse buzzer	Right rear armrest with horn button
12	Smart module	/	Jiachen smart module Safety management module
13	Safety configuration	Emergency power-off switch Fuse box Descending buffering	Reversing radar OPS sensing system Fire extinguisher Ascending buffering
14	Parking brake	Mechanical handbrake	Electronic handbrake
15	Instrument rack space	Smart color-screen instrument (speed mode selection) Combination switch	Cigarette lighter USB port Electronic code lock (start by swiping a card)
16	Driving space	Standard overhead guard Central rear view mirror	Front windshield PVC ceiling Cab Electric fan Left and right rear view mirrors
17	Chair	Standard seat	Fully-suspended seat Semi-suspended seat
18	Other standard configuration	Drive and lifting controllers Driving and lifting motors Oil pump reducer Silent gear pump DC-DC converter Pedal pad Traction pin Integral stamped side panel and hood	





$AST = a + W_a + x + B$ a: Clearance (200mm)

