



ZHEJIANG HANGCHA IMP. & EXP. CO., LTD.

Factory site: 666 Xiangfu Road,  
Hangzhou, Zhejiang, China (311305)

Tel: +86-571-88926735 88926755  
Fax: +86-571-88926789 88132890

sales@hcforklift.com  
www.hcforklift.com



Follow us on  
Facebook



Follow us on  
YouTube



Follow us on  
WeChat



Download "Hangcha  
Forklift" App



ISO14001  
ISO14001:2015



ISO9001  
ISO9001:2015



HANGCHA trucks conform  
to the European Safety  
Requirements.

2021 VERSION | COPYRIGHT 2021/03

HANGCHA GROUP CO., LTD. reserves the right to make any changes without notice concerning colors, equipment, or specifications detailed in this brochure, or to discontinue individual models. The colors of trucks, delivered may differ slightly from those in brochures.



## X Series Diesel / Gasoline / LPG Counterbalanced Forklift Trucks

with capacities of 1,500 to 3,800kg

*The World of Hangcha*



# X Series

Diesel / Gasoline / LPG  
Counterbalanced  
Forklift Trucks



## Innovation design

The X series is the new series of internal combustion counterbalance forklift truck developed by Hangcha independently, adopting the world advanced technologies based on the original products. Through the comprehensive upgrading of appearance molding, energy conservation, environmental friendly, comfort, security and reliability, it will become the world-class forklift truck which can meet your overall demands.

### Strong appearance and visual impact

The appearance of full truck is developed under the cooperation with professional industrial design company by adopting the appearance design methods of brand-new concept. The streamlined surface modeling design brings smooth lines, elegant appearance, vigorous and steady surface as well as the outstanding inherence, possessing the powerful visual impact.

The truck is small, exquisite and concise. which adopting the newly designed parts with opening mould at large area, the appearance of full vehicle will be more humanized.



The new designed mast increase forward visibility 15%



Noise ↓ 3dB



Legroom ↑ 30%



High pressure common rail electronic-controlled engine provide lower failure rate (Common rail engine)



Floating structure decrease the vibration by 10%



Exhaust emission ↓ 35% (Common rail engine)



Grade-speed ability ↑ 10% (Common rail engine)



Aluminous plate-fin radiator provides stronger structure



Prolong the service life of steering axle 20%



Fuel consumption ↓ 10% (Common rail engine)



Better cold starting performance (Common rail engine)



Water temp ↓ 10 C, oil temp ↓ 10%

## Energy conservation and Environmental friendly



The high pressure common rail electronic-controlled engine which adopts high pressure multiple injections technology to ensure the strong power take-off, lower emission and better cold starting performance; saving the 10% of energy consumption.



The whole truck adopts LED lights as shiner and new-type panoramic retroreflector to ensure energy conservation and power saving as well as greatly improve the performance and service life of luminaires at the same time.

The truck all adopt the environmental friendly material to reduce environmental hazards.

## Maintenance

Integral locking pin structure on the hood can be opened without tool, which is convenient for daily repair and maintenance.



Adoption of new generation integrated electric box makes maintenance and repair convenient, layout becomes more reasonable and with better water-proof performance.

The enlarged opening angle of hood and increase of left and right hood side plates can provide you with convenient and rapid maintenance mode.



Newly-developed LCD instrument has more comprehensive functions and more stable performance and entirely displays the full truck state, fault code and other important information, which can make the operator more intuitively and conveniently have a better knowledge of truck state and make the maintenance conveniently.

## Fully improved reliability And security



1. The radiator adopts aluminous plate-fin radiator with better performance and higher structural strength independent oil radiator, optimized oil and water heat dissipation channel and double ventilation holes on counterweight can greatly improve cooling efficiency and reliability of overloaded operation and ensure reliable operation of the engine.

2. 2.0~3.8t roller bearing on the steering axle king pin adopts large size tapered roller bearing (TRB), larger steering cylinder and bumper block assemblies on the top, which can prolong the service life of bearing and highly improve the reliability of steering axle.

3. Overhead guard adopts special-shaped steel tube, which can reinforce the strength and improve sealing of the cab.

4. Optimized hydraulic breather structure and integrated with return oil filter can prolong the service life of hydraulic pressure system.



# Comfort

Option of the most advanced full floating structure in the world can minimize the vibration of full truck and support more superior buffer, micro-motion and starting functions at the same time. With several imported engines, they can constitute more perfect engine-transmission system.

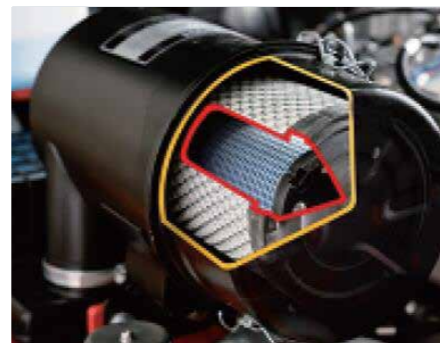
*Reduce the caster angle of instrument stand and adopt the integral hood to greatly increase the space underfoot; The orthodrome of overhead guard fore leg will expand the driving space;*



Adopt the new-type of box iron. Increase the inside width of inner mast and the spacing between lifting cylinders. The lowering of instruments in the cabin will greatly increase the forward visibility; The rear visibility will also be greatly improved through the optimization design of counterweight.



The design of steering wheel of small diameter and electro-hydraulic reversing as well as the car-type double-handle combination switch will greatly improve the driving comfort.



Optimized air intake and exhaust system, high-capacity exhaust silencer and high-effect intake muffler will reduce the noise of full truck by 3dB and reduce the vibration by 20%.

## Intelligentized management system (option)

*Reserved plug of extending function of Intelligent module is on the wire bundles that makes truck management more convenient and rapid.*



## Standard Specification

- / Cover of tilt cylinder
- / Traction device
- / LED working light
- / Hydraulic oil filter
- / Electric Flameout
- / Seat with belt
- / Skidproof pedal
- / Air filter
- / Hydraulic oil dipstick
- / Mast speed limiting valve
- / Full hydraulic power steering
- / Wide view duplex mast
- / Standard forks
- / Standard overhead guard
- / Rear combination LED light
- / Panoramic rearview mirror
- / Filf folder
- / Adjustable steering column
- / Pre-heating indicator
- / Engine fuel pressure warning
- / Neutral switch
- / Engine hood spring
- / Dipstick
- / Pneumatic tyres
- / Standard load backrest
- / Horn
- / Fuel gauge
- / LCD display
- / Cable parking brake
- / Tilt cylinder self-locking valve
- / Fork carriage mounting class II(III)
- / Timer
- / Load safety valve
- / Charging indicator
- / Water temperature gauge
- / Toolbox
- / Reversing buzzer
- / Return oil filter
- / Hand grip
- / Integrated controller
- / Oil-water separator
- / Engine fault warning
- / Rubber pedal
- / 2nd hydraulic function
- / Transmission oil temperature warning
- / Dynamic load sensing system (for desel engine)

## Optional Mast

- / Duplex wide view full free mast
- / Trilex wide view full free mast
- / Special duplex wide view mast
- / Wider fork carriage
- / Special forks

## Options

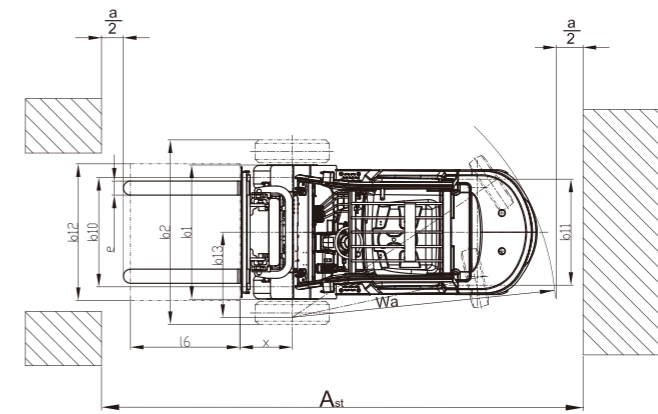
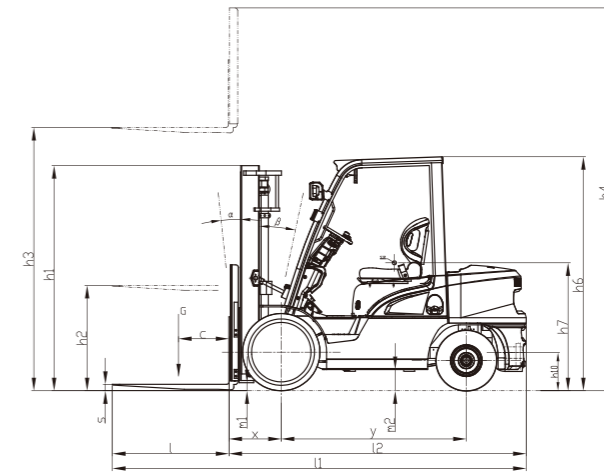
- / Dual driving wheel
- / Cabin
- / High-positioned exhaust system
- / Customer painting
- / Cabin heater
- / LED rear working light
- / Hood lock
- / Double heat insulating pad and leather cover
- / Net cover of radiator
- / Solid tyre
- / Non-mark tyre (white/green)
- / Middle-positioned exhaust system
- / Sparkle arrester
- / Suspension seat
- / Purified exhaust system
- / Fuel tank lock
- / Speed meter
- / Auxilliary hydraulic valve
- / Extinguisher
- / Reversing assist grip with horn button
- / Counter weight net
- / Height of overhead guard
- / Dual air filter
- / Milometer
- / Speed limiter (Electronic-Controlled engine)
- / Emergency switch
- / Fan protector
- / Over-speed alarm
- / Warning light
- / OPS system
- / Waterproof cover on the guard

## Optional Attachments

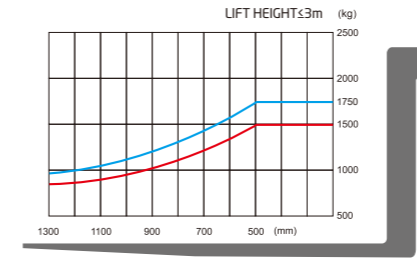
- / Paper roll clamp
- / Rotating bale clamp
- / Load stabilizer
- / Multi-drum clamp
- / Bale clamp
- / Drum clamp
- / Dumping clamp
- / Crane arm
- / String pole
- / Weigher system
- / Sideshifter
- / Rotating forks
- / Fork extensioner
- / Load release device
- / Carton clamp
- / Push-pull device
- / Bucket
- / Hook
- / Lengthened fork

# X Series Diesel / Gasoline / LPG Counterbalanced Forklift Trucks

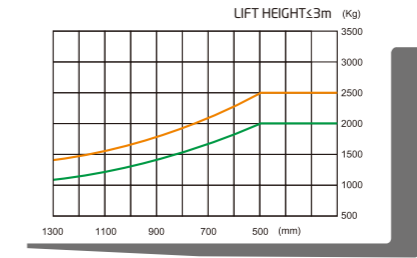
		HANGCHA GROUP CO.,LTD.							
Distinguishing mark	1.1	Manufacturer							
	1.2	CPCD15-XRW91F	CPCD18-XRW91F	CPCD20-XRW92F	CPCD25-XRW92F	CPCD30-XRW92F	CPCD35-XRW92F	CPCD38-XRW92F	
	1.3	Diesel	Diesel	Diesel	Diesel	Diesel	Diesel	Diesel	
	1.4	Seated	Seated	Seated	Seated	Seated	Seated	Seated	
	1.5	Q (kg)	1500	1750	2000	2500	3000	3800	
	1.6	c (mm)	500	500	500	500	500	500	
	1.8	x (mm)	405	410	460	460	475	480	
	1.9	y (mm)	1475	1475	1650	1650	1700	1700	
Weight	2.1	kg	2720	2880	3450	3850	4380	4750	4950
	2.2	kg	3720/500	4110/520	4750/700	5540/810	6450/930	7200/1050	7650/1100
	2.3	kg	1300/1420	1290/1590	1600/1850	1560/2290	1700/2680	1700/3050	1650/3300
Tyres, chassis	3.1		Pneumatic	Pneumatic	Pneumatic	Pneumatic	Pneumatic	Pneumatic	
	3.2		6.5-10-10PR	6.5-10-10PR	7.00-12-12PR	7.00-12-12PR	28*9-15-14PR	28*9-15-14PR	
	3.3		5.00-8-10PR	5.00-8-10PR	6.00-9-10PR	6.00-9-10PR	6.50-10-10PR	6.50-10-10PR	
	3.5		2*/2	2*/2	2*/2	2*/2	2*/2	2*/2	
	3.6	b10 (mm)	900	900	965	965	1005	1005	
	3.7	b11 (mm)	920	920	973	973	975	975	
	3.8		6/12	6/12	6/12	6/12	6/12	6/12	
Dimensions	4.1	α/β(°)	6/12	6/12	6/12	6/12	6/12	6/12	
	4.2	h1 (mm)	1995	1995	1999	1999	2054	2169	
	4.3	h2 (mm)	155	155	160	160	165	170	
	4.4	h3 (mm)	3000	3000	3000	3000	3000	3000	
	4.5	h4 (mm)	3955	3955	4045	4045	4140	4140	
	4.7	h6 (mm)	2120(2220)	2120(2220)	2120(2220)	2120(2220)	2150(2250)	2150(2250)	
	4.8	h7 (mm)	1145	1145	1145	1145	1175	1175	
	4.1.2	h10 (mm)	310	310	320	320	350	350	
	4.1.9	l1 (mm)	3205	3240	3615	3680	3770	3850	
	4.2.0	l2 (mm)	2285	2320	2545	2610	2700	2810	
	4.2.1	b1/b2 (mm)	1090/1485	1090/1485	1155/1595	1155/1595	1225/1725	1225/1725	
	4.2.2	s/e/l (mm)	35*100*920	35*100*920	40*122*1070	40*122*1070	45*122*1070	50*122*1070	
	4.2.3		Class A	Class A	Class A	Class A	Class A	Class A	
	4.2.4	b3 (mm)	1000	1000	1038	1038	1100	1100	
4.2.5	b5 (mm)	226-970	226-970	252-1020	252-1020	272-1082	272-1082		
4.3.1	m1 (mm)	115	115	105	105	130	130		
4.3.2	m2 (mm)	145	145	150	150	170	170		
4.3.4.1	Ast (mm)	3640	3670	3930	3990	4075	4120	4160	
4.3.4.2	Ast (mm)	3840	3870	4130	4190	4275	4320	4360	
4.3.5	Wa (mm)	2035	2060	2270	2330	2400	2440	2480	
4.3.6	b13 (mm)	600	600	780	780	810	810	810	
Performance data	5.1	km/h	16.5/17.5	16.5/17.5	20/21	20/21	18/19	18/19	
	5.2	m/s	0.5/0.55	0.5/0.55	0.55/0.60	0.55/0.60	0.46/0.50	0.38/0.45	
	5.3	m/s	0.45/0.50	0.45/0.50	0.45/0.50	0.45/0.50	0.45/0.50	0.35/0.40	
	5.5	N	17000/10500	17000/10500	19800/12500	19800/12500	20800/14500	20800/14500	
	5.7	%	25/25	25/25	25/25	25/25	20/20	20/20	
	5.1.0		Hydraulic	Hydraulic	Hydraulic	Hydraulic	Hydraulic	Hydraulic	
Combustion-engine	7.1		XINCHAI / 4D27XG30	XINCHAI / 4D27XG30	XINCHAI / 4D32XG30	XINCHAI / 4D32XG30	XINCHAI / 4D32XG30	XINCHAI / 4D32XG30	
	7.2	kW	34	34	36.8	36.8	36.8	36.8	
	7.3	r/min	2500	2500	2500	2500	2500	2500	
	7.4	(-) / (cm <sup>3</sup> )	4/2670	4/2670	4/3168	4/3168	4/3168	4/3168	
	7.9	V	12	12	12	12	12	12	
	7.1.0	V/Ah	12/90	12/90	12/90	12/90	12/90	12/90	
		N·m/r/min	140/1600-1800	140/1600-1800	186/1600-1800	186/1600-1800	186/1600-1800	186/1600-1800	
			China(F)	China(F)	China(F)	China(F)	China(F)	China(F)	
			Powershift	Powershift	Powershift	Powershift	Powershift	Powershift	
		Stage FWD/RVS	1/1	1/1	1/1	1/1	1/1	1/1	
Addition data	10.1	bar	145	145	175	175	175	175	
	10.2	l/min	40	40	60	60	60	60	
	10.3	liter	50	50	65	65	65	65	
	10.4	liter	50	50	65	65	65	65	
	10.7	dB (A)	85	85	85	85	85	85	



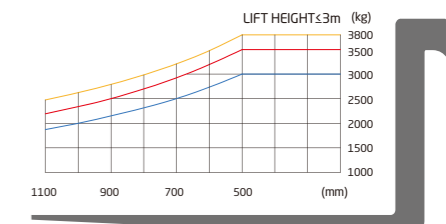
$Ast=L6+X+Wa+a$  a=200mm



1.5/1.8t



2.0/2.5t



3.0~3.8t

## Optional Engine / Transmission

Engine	Engine manufacturer/type		XINCHAI/4D27XG30	YANMAR/4TNE92	ISUZU/C240NKFC	XINCHAI/4D27XG40	XINCHAI/4D32XG40	XINCHAI/4D32XG30	XINCHAI/C490BPG	CUMMINS/QSF2.8t3NA49	YANMAR/4TNE98	mitsubishi/S4S-DPEU2	GCT/K21	GCT/K25	GCT/K21 LPG	GCT/K25 LPG	
	Manufacturer's type designation		W91	W32	W10	G71J	G72J	W92	G2	W43	W33	W55	W21	W22	W51	W52	
	Drive		Diesel	Diesel	Diesel	Diesel	Diesel	Diesel	Diesel	Diesel	Diesel	Diesel	Gasoline Gasoline/LPG	Gasoline Gasoline/LPG	Gasoline Gasoline/LPG	LPG	LPG
	Emission STD		UNECE Stage IIIA	StagellIA	StagellIA	/	/	UNECE Stage IIIA	/	StagellIA	StagellIA	StagellIA	StagellIA	StagellIA	StagellIA	StagellIA	StagellIA
	Engine power		kW/r/min	34/2500	32.8/2450	35.4/2500	34/2500	36.8/2500	36.8/2500	40/2650	36/2500	42.1/2300	35.3/2250	31.2/2250	37.4/2500	29/2250	35/2400
	Rated torque		Nm/r/min	140/1600-1800	149/1600	139.9/1800	140/1600-1800	186/1600-1800	186/1600-1800	160/1800-2000	186/1100-1500	206/1700	177/1700	143.7/1600	176.5/1600	140/1600	170/1600
Transmission	Number of cylinders/displacement		ml	4/2659	4/2369	4/2670	4/3168	4/3168	4/2670	4/2800	4/3319	4/3331	4/2065	4/2488	4/2065	4/2488	
	Powershift	CHINA	X	X	✓	✓	✓	X	✓	X	X	✓	✓	✓	X	X	
		F(CHINA)	F	✓	✓	✓	✓	✓	X	✓	✓	✓	✓	✓	✓	✓	✓
OKAMURA(JAPAN)		B	X	✓	✓	X	X	X	X	✓	✓	✓	✓	✓	X	✓	
Rated capacity/rated load		Q (kg)	1500-1750	1500-1750	1500-3000	1500-1750	2000-3800	2000-3800	2000-3800	2000-3800	2000-3800	2000-3500	1500-2500	2000-3800	1500-1750	2000-3800	

