

**EDiA EM**

**FB14-20A(C)N(T) Series**

# ELECTRIC-POWERED FORKLIFT TRUCKS

1.4 – 2.0 tonnes

**THE MOST INTELLIGENT...  
THE MOST AGILE**

Meet the EDiA EM. It's the most intelligent truck on the market and one of the most durable. Packed with features, it delivers the manoeuvrability, power and reliability you expect from Mitsubishi Forklift Trucks.

## SPECIFICATIONS

FB14ANT	
FB16ACNT	FB16ACN
FB18ACNT	FB18ACN
FB16ANT	FB16AN
FB18ANT	FB18AN
FB20ANT	FB20AN



**WHEN  
RELIABILITY IS  
EVERYTHING...**

# EDiA EM

## FB14-20A(C)N(T) Series

### ELECTRIC-POWERED FORKLIFT TRUCKS

1.4 – 2.0 tonnes

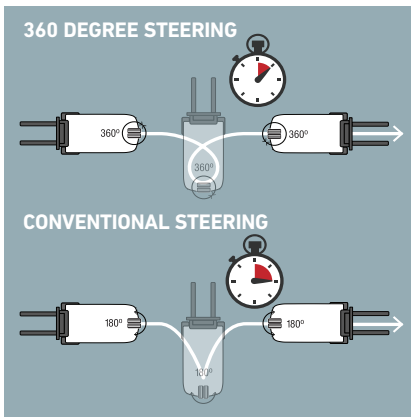


**Designed and engineered to perform, these 48-volt three and four-wheel electrics work intuitively, tailoring their performance to your individual operator.**

EDiA EM's sophisticated software analyses behaviour in real-time and automatically adjusts the truck's behaviour for safe-but-productive performance.

#### OPERATOR COMPARTMENT AND CONTROLS

- **Large, ultra-comfortable operating space** has been enhanced to meet the needs of drivers of all shapes and sizes for fatigue-free operation.
- **Spacious footwell** accommodates size 50+ (EU) shoes ensuring – whatever their size – operators enjoy a natural, ergonomic foot position.
- **Extra-large and low entry step** with offers good grip, ensuring safe, no-slip entry and exit – whatever the footwear.
- **Unparalleled 360° visibility** thanks to optimised mast, wheel, dashboard and counterweight design, maximises visibility to load, forks, front and rear wheels for safe, confident operation in tight spaces.
- **Optimised pedal positioning** encourages a more natural foot position for drivers of all sizes – short and tall included – to keep fatigue at bay.
- **Clear informative full-colour display** is easy to read from any angle (even direct sunlight). It's perfectly positioned for operator reference and doesn't reduce the truck's all-round visibility.



- **Touch-sensitive fingertip controls** are spring-loaded for a natural feeling; the gentler the touch, the finer the control.

#### FRAME AND BODY

- **High visibility design** offers minimal 'death angle' for improved safety, while eliminating unnecessary driver movements to keep drivers fresh.
- **Fast-access battery compartment** offers easy opening for maximum ventilation during charging and quick battery checks and maintenance.

#### MAST AND FORK ASSEMBLY

- **Passive Sway Control** dampens any elevated load motion above 3.5 m by compensating with micro chassis movements.

#### DRIVE

- **High-efficiency motors** offer a high RPM range for precise control when accelerating.
- **Sensitive Drive System (SDS)** smooths start and stop movements, increases agility and adapts to the speed of operators' foot movements.
- **Intelligent curve control** senses the angle of a turn and responds – automatically reducing speed early in the manoeuvre – ensuring maximum stability and accurate, positive cornering.
- **>100° steering axle** with dual-drive motors offers smooth 'on the spot' turning, with no initial 'push'.

#### BRAKES

- **Electronic magnetic brakes** don't rely on brake pads – eliminating associated maintenance and the risk of brake dust and contamination.
- **Automatic parking brake with hill hold** stops the truck automatically when the accelerator is not engaged, and prevents rolling on ramps – no remembering to use a handle or switch.

#### HYDRAULICS

- **Load-sensing hydraulic system** automatically adjusts truck's performance when handling loads at heights above 2.0 m – for consistently safe and efficient operations, standard for masts from 3.5m.

#### STEERING SYSTEM

- **Optimised steering** automatically adjusts power to steering for consistently smooth operations – regardless of speed or work intensity – for maximum control, comfort and safety.
- **Time-saving 360° steering on 3-wheel models** means the operator keeps the truck in constant motion – saving seconds on every turn.



**There is more information on EDiA on [mitforklift.com](http://mitforklift.com)**

For more extensive information please visit our website [mitforklift.com](http://mitforklift.com)



[mft2.eu/ediaem](http://mft2.eu/ediaem)



# EDIA EM

## OPTIONAL LI-ION BATTERY SYSTEMS

### MAKE YOUR FORKLIFT (AND ITS FUEL) GO EVEN FURTHER



Tried, tested and proven in the field, lead-acid batteries have been the long-standing top choice for companies employing electric lift trucks. However, with long charging times, demanding maintenance requirements, the need for extra batteries and high risk of operator misuse, it can be a challenge. Fortunately, there's a new battery system on the block: Li-ion from Mitsubishi Forklift Trucks.

Designed to meet your business' demands - including multi-shift (24/7) operations - without the need for spare batteries, our high-performance Li-ion battery system is up to 40 per cent more efficient than lead-acid counterparts. Plus, it's virtually error-proof, thanks to its ultra-low-maintenance design which prevent cell damage.

- **Exceptional, zero-emissions efficiency** 40% more efficient than lead-acid batteries and free from gases.
- **Ultra-low maintenance design** demands just a full charge each week to activate cell balancing, as well as an annual CSV export/update.
- **No space required** with no need for charging areas, there's no cost for set up and you can keep your profitable space just that: profitable.
- **Quick charge capabilities** mean that just 15 minutes is all your battery needs to keep your truck going a few more hours. (It only takes 1 to 2 hours to fully charge a completely discharged battery.)
- **Higher sustained voltage** ensures more consistent lifting and driving performance, which is particularly noticeable towards the end of a shift.
- **TriCOM Technology** delivers exceptionally high system efficiency (up to 97%).
- **Water-free design** with no water in the battery and no need to top up, there's no risk of operators damaging cells.
- **Active protection componentry** this continuously monitors the system, highlighting potential issues, including misuse.
- **Short circuit protection** is offered by system safeguards including: deep-discharge and overcharge protection, individual cell temperature and voltage monitoring.
- **On-the-go performance and monitoring** is possible thanks to the system's integrated monitoring system with easy-to-read display unit, as well as an opportunity charger on board.



Battery capacity, Ah	260	312	416
Charger capacity, Ah, 1 hour	200	250	350

There is more information on Li-ion on [mitforklift.com](http://mitforklift.com)

For more extensive information please visit our website [mitforklift.com](http://mitforklift.com)





# VDI - PERFORMANCE & DIMENSIONS

CHARACTERISTICS			Mitsubishi Forklift Trucks	Mitsubishi Forklift Trucks	Mitsubishi Forklift Trucks	Mitsubishi Forklift Trucks	Mitsubishi Forklift Trucks	Mitsubishi Forklift Trucks
1.1	Manufacturer (abbreviation)		FB14ANT	FB16ACNT	FB18ACNT	FB16ANT	FB18ANT	FB20ANT
1.2	Manufacturer's model designation		Electric	Electric	Electric	Electric	Electric	Electric
1.3	Power source: (battery, diesel, LP gas, petrol)		Seated	Seated	Seated	Seated	Seated	Seated
1.4	Operator type: pedestrian, (operator)-standing, -seated		1400	1600	1800	1600	1800	2000
1.5	Load capacity	Q kg	500	500	500	500	500	500
1.6	Load center distance	c mm	343	343	343	343	343	358
1.8	Load distance, axle to fork face	x mm	1320	1320	1320	1428	1428	1428
1.9	Wheelbase	y mm						
WEIGHT								
2.1	Truck weight, without load / including battery (simplex mast, lowest lift height)	kg	2790	2966	3156	2949	3119	3342
2.2	Axle loading with maximum load, front / rear (simplex mast, lowest lift height)	kg	3688 / 502	4015 / 551	4351 / 605	4020 / 529	4333 / 586	4711 / 631
2.3	Axle loading without load, front / rear (simplex mast, lowest lift height)	kg	1394 / 1396	1393 / 1573	1401 / 1754	1476 / 1474	1471 / 1649	1509 / 1833
WHEELS, DRIVE TRAIN								
3.1	Tyres: V=solid, L=pneumatic, SE=solid pneumatic - front / rear		SE	SE	SE	SE	SE	SE
3.2	Tyre dimensions, front		18 x 7-8	18 x 7-8	18 x 7-8	18 x 7-8	18 x 7-8	200 / 50-10
3.3	Tyre dimensions, rear		140 / 55-9	140 / 55-9	140 / 55-9	140 / 55-9	140 / 55-9	140 / 55-9
3.5	Number of wheels, front / rear (x=driven)		2 x / 2	2 x / 2	2 x / 2	2 x / 2	2 x / 2	2 x / 2
3.6	Truck width (center of tyres), front	b10 mm	930	930	930	930	930	938
3.7	Truck width (center of tyres), rear	b11 mm	174	174	174	174	174	174
DIMENSIONS								
4.1	Mast tilt, forwards / backwards	α/β °	5 / 7.5	5 / 7.5	5 / 7.5	5 / 7.5	5 / 7.5	5 / 7.5
4.2	Height with mast lowered (see tables)	h1 mm	2125	2125	2125	2125	2125	2125
4.3	Free lift (see tables)	h2 mm	80	80	80	80	80	80
4.4	Lift height (see tables)	h3 mm	3290	3290	3290	3290	3290	3290
4.5	Overall height with mast raised	h4 mm	4335	4335	4335	4335	4335	4335
4.7	Height to top of overhead guard	h6 mm	2050	2050	2050	2050	2050	2050
4.8	Seat height	h7 mm	1035	1035	1035	1035	1035	1035
4.12	Tow coupling height	h10 mm	540	540	540	540	540	540
4.19	Overall length	l1 mm	2996	2996	2996	3104	3104	3119
4.20	Length to fork face (includes fork thickness)	l2 mm	1846	1846	1846	1954	1954	1969
4.21	Overall width	b1/b2 mm	1090	1090	1090	1090	1090	1140
4.22	Fork dimensions (thickness, width, length)	s / e / l mm	35 x 100 x 1150	35 x 100 x 1150	35 x 100 x 1150	35 x 100 x 1150	35 x 100 x 1150	35 x 100 x 1150
4.23	Fork carriage to DIN 15 173 A/B/no		2A	2A	2A	2A	2A	2A
4.24	Fork carriage width	b3 mm	920	920	920	920	920	920
4.31	Ground clearance under mast, with load	m1 mm	95	95	95	95	95	95
4.32	Ground clearance at center of wheelbase, with load (forks lowered)	m2 mm	95	95	95	95	95	95
4.33	Working aisle width with 1000 x 1200 mm pallets, crosswise	Ast mm	3173	3173	3173	3281	3281	3295
4.34a	Working aisle width with 800 x 1200 mm pallets, lengthwise	Ast mm	3296	3296	3296	3404	3404	3419
4.35	Turning circle radius	Wa mm	1502	1502	1502	1610	1610	1610
4.36	Minimum distance between centers of rotation	b13 mm	0	0	0	0	0	0
PERFORMANCE								
5.1	Travel speed, with / without load	km/h	16 / 16	16 / 16	16 / 16	16 / 16	16 / 16	16 / 16
5.2	Lifting speed, with / without load	m/s	0.55 / 0.62	0.52 / 0.62	0.46 / 0.62	0.52 / 0.62	0.46 / 0.62	0.62 / 0.42
5.3	Lowering speed, with / without load	m/s	0.56 / 0.56	0.56 / 0.56	0.56 / 0.56	0.56 / 0.56	0.56 / 0.56	0.56 / 0.56
5.5	Rated drawbar pull, with / without load	N	4900 / 5200	4900 / 5200	4800 / 5100	4900 / 5200	4800 / 5100	4700 / 5100
5.6	Maximum drawbar pull, with / without load (5 min short duty)	N	15000 / 15300	14900 / 15200	14900 / 15200	14900 / 15200	14900 / 15200	14800 / 15200
5.7	Gradeability, with / without load	%	16 / 26	15 / 25	13 / 23	15 / 25	13 / 23	12 / 21
5.8	Maximum gradeability, with / without load	%	27 / 35	27 / 35	26 / 35	27 / 35	26 / 35	24 / 35
5.9	Acceleration time (10 metres) with / without load	s	4.0 / 3.8	4.1 / 3.8	4.2 / 3.8	4.1 / 3.8	4.2 / 3.8	4.3 / 3.9
5.10	Service brakes (mechanical / hydraulic / electric / pneumatic)		electric	electric	electric	electric	electric	electric
ELECTRIC MOTORS								
6.1	Drive motor capacity (60 min. short duty)	kW	2 x 5.5	2 x 5.5	2 x 5.5	2 x 5.5	2 x 5.5	2 x 5.5
6.2	Lift motor output at 15% duty factor	kW	10	10	10	10	10	10
6.3	Battery to DIN 43 531 / 35 / 36 A/B/C/no		DIN 43531 A/no	DIN 43531 A/no	DIN 43531 A/no	DIN 43531 A/no	DIN 43531 A/no	DIN 43531 A/no
6.4	Battery voltage/capacity at 5-hour discharge	V/Ah	500-625	500-625	500-625	625-750	625-750	625-750
6.5	Battery weight	kg	679	679	679	812	812	812
6.6a	Energy consumption according to EN 16796	kWh/h	3.7	3.9	4.2	3.9	4.2	4.5
MISCELLANEOUS								
8.1	Type of drive control		AC	AC	AC	AC	AC	AC
10.1	Maximum operating pressure for attachments	bar	210	210	210	210	210	210
10.2	Oil flow for attachments	l/min	30	30	30	30	30	30
10.7	Noise level, value at operator's ear (EN 12053)	dB(A)	65	65	65	65	65	65
10.8	Towing coupling design / DIN type, ref.		DIN15170-H	DIN15170-H	DIN15170-H	DIN15170-H	DIN15170-H	DIN15170-H

**EDIA EM**

**ELECTRIC COUNTERBALANCE**

**FB14 - 20A(C)NT Series**

**3 wheel models**  
1.4 - 2.0 tonnes



# MAST PERFORMANCE AND CAPACITY



## FB14 - 20A(C)NT Series

### 3 wheel models

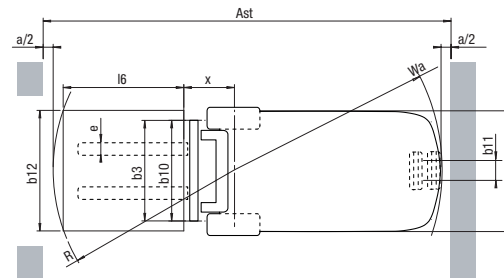
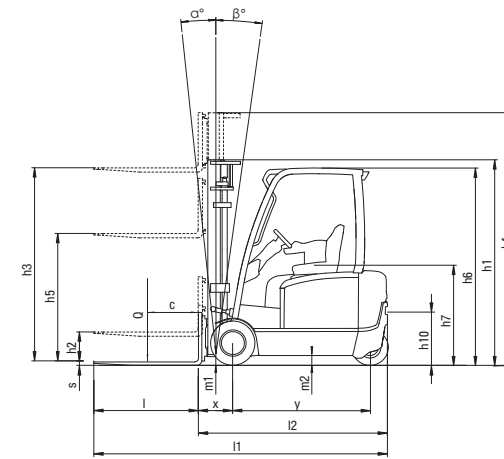


MAST TYPE	FB14-20A(C)NT						FB14ANT	FB16ACNT	FB18ACNT	FB16ANT	FB18ANT	FB20ANT	
	h3 mm	h1 mm	h4 mm	h2 / h5 mm	tilt angle fwd / rew degrees		Q@ c=500 mm kg	Q@ c=500 mm kg	Q@ c=500 mm kg	Q@ c=500 mm kg	Q@ c=500 mm kg	Q@ c=500 mm kg	
					STD	CABIN							
SIMPLEX	2000**	1480*	3045	80	5 / 6	N.A.	1400	1600	1800	1600	1800	2000	
	2560**	1760*	3605	80	5 / 6	5 / 5	1400	1600	1800	1600	1800	2000	
	2760**	1860*	3805	80	5 / 7.5	5 / 6	1400	1600	1800	1600	1800	2000	
	3000	1980*	4045	80	5 / 7.5	5 / 6	1400	1600	1800	1600	1800	2000	
	3290	2125	4335	80	5 / 7.5	5 / 7.5	1400	1600	1800	1600	1800	2000	
	3530**	2245	4575	80	5 / 7.5	5 / 7.5	1400	1600	1800	1600	1800	2000	
	3720	2385	4765	80	5 / 7.5	5 / 7.5	1400	1600	1800	1600	1800	2000	
	4090	2570	5135	80	5 / 7.5	5 / 7.5	1400	1600	1800	1600	1800	2000	
	4480	2775	5525	80	5 / 5	5 / 5	1350	1550	1750	1575	1775	2000	
	5000	3035	6045	80	5 / 5	5 / 5	1300	1475	1675	1525	1700	1925	
DUPLX	2800**	1880*	3845	835	5 / 6	5 / 6	1400	1600	1800	1600	1800	2000	
	3000	1980*	4045	935	5 / 6	5 / 6	1400	1600	1800	1600	1800	2000	
	3295	2125	4340	1080	5 / 6	5 / 6	1400	1600	1800	1600	1800	2000	
	3515**	2245	4560	1200	5 / 6	5 / 6	1400	1600	1800	1600	1800	2000	
	3700	2385	4745	1340	5 / 6	5 / 6	1400	1600	1800	1600	1800	2000	
	4030	2570	5075	1525	5 / 6	5 / 6	1350	1550	1750	1575	1775	2000	
	TRIPLEX	3710	1780*	4755	735	5 / 6	5 / 3.5	1400	1600	1800	1600	1800	2000
		4010	1880*	5055	835	5 / 6	5 / 3.5	1400	1600	1800	1600	1800	2000
		4310	1980*	5355	935	5 / 6	5 / 5	1350	1600	1750	1600	1800	2000
		4750	2125	5795	1080	5 / 6	5 / 5	1300	1600	1700	1550	1800	2000
5090		2245	6135	1200	5 / 3.5	5 / 3.5	1275	1450	1650	1550	1750	1925	
5490		2385	6535	1340	5 / 3.5	5 / 3.5	1225	1400	1650	1500	1700	1900	
5990		2570	7035	1525	5 / 3.5	5 / 3.5	1175	1350	1600	1400	1600	1750	
6490		2830	7535	1785	5 / 3.5	5 / 3.5	1125	1350	1350	1350	1400	1650	
7000	3035	8045	1990	5 / 3.5	5 / 3.5	1100	1100	1100	1100	1100	1350		

\* Lower than overhead guard \*\*CSM

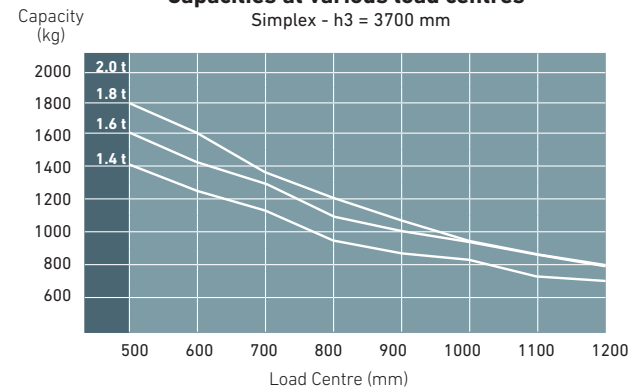
BATTERY DIMENSIONS		14ANT	16ACNT	18ACNT	16ANT	18ANT	20ANT
Battery voltage	V	48	48	48	48	48	48
Capacity at a 5-hour discharge	Ah	500 / 625	500 / 625	500 / 625	625 / 750	625 / 750	625 / 750
Battery weight, Min.	kg	679 / 812	679 / 812	679 / 812	812 / 900	812 / 900	812 / 900
Battery weight, Max.	kg	1000 / 1000	1000 / 1000	1000 / 1000	1160 / 1160	1160 / 1160	1160 / 1160
BATTERY BOX DIMENSIONS							
Length	mm	522	522	522	630	630	630
Width	mm	830 / 1006	830 / 1006	830 / 1006	830 / 1006	830 / 1006	830 / 1006
Height	mm	627	627	627	627	627	627
BATTERY COMPARTMENT SIZE							
Length	mm	532	532	532	640	640	640
Width	mm	850 / 1018	850 / 1018	850 / 1018	850 / 1018	850 / 1018	850 / 1018
Height	mm	690 (660*)	690 (660*)	690 (660*)	690 (660*)	690 (660*)	690 (660*)

\*With battery exchange rolls



- Ast =  $Wa + R + a$
- Ast = Working aisle width
- Wa = Turning radius
- a = Safety clearance =  $2 \times 100$  mm
- R =  $\sqrt{(l6 + x)^2 + (b12 / 2)^2}$
- b12 = Pallet width (1200 mm)
- h1 = Height with mast lowered
- h2 = Standard free lift
- h3 = Lift height
- h4 = Height with mast raised
- h5 = Full free lift
- Q = Lifting capacity, rated load
- c = Load centre (distance)

### Capacities at various load centres



# VDI - PERFORMANCE & DIMENSIONS

CHARACTERISTICS				Mitsubishi Forklift Trucks	Mitsubishi Forklift Trucks	Mitsubishi Forklift Trucks	Mitsubishi Forklift Trucks	Mitsubishi Forklift Trucks
1.1	Manufacturer (abbreviation)			FB16ACN	FB18ACN	FB16AN	FB18AN	FB20AN
1.2	Manufacturer's model designation			Electric	Electric	Electric	Electric	Electric
1.3	Power source: (battery, diesel, LP gas, petrol)			Seated	Seated	Seated	Seated	Seated
1.4	Operator type: pedestrian, (operator)-standing, -seated			1600	1800	1600	1800	2000
1.5	Load capacity	Q	kg	500	500	500	500	500
1.6	Load center distance	c	mm	343	343	343	343	358
1.8	Load distance, axle to fork face	x	mm	1394	1394	1502	1502	1502
1.9	Wheelbase	y	mm					
WEIGHT								
2.1	Truck weight, without load / including battery (simplex mast, lowest lift height)		kg	2944	3114	2957	3097	3287
2.2	Axle loading with maximum load, front / rear (simplex mast, lowest lift height)		kg	3990 / 554	4311 / 603	4008 / 550	4295 / 603	4668 / 620
2.3	Axle loading without load, front / rear (simplex mast, lowest lift height)		kg	1422 / 1522	1422 / 1692	1510 / 1448	1484 / 1613	1525 / 1762
WHEELS, DRIVE TRAIN								
3.1	Tyres: V=solid, L=pneumatic, SE=solid pneumatic - front / rear			SE	SE	SE	SE	SE
3.2	Tyre dimensions, front			18 x 7-8	18 x 7-8	18 x 7-8	18 x 7-8	200 / 50-10
3.3	Tyre dimensions, rear			16 x 6-8	16 x 6-8	16 x 6-8	16 x 6-8	16x6-8
3.5	Number of wheels, front / rear (x=driven)			2 x / 2	2 x / 2	2 x / 2	2 x / 2	2 x / 2
3.6	Truck width (center of tyres), front	b10	mm	930	930	930	930	938
3.7	Truck width (center of tyres), rear	b11	mm	898	898	898	898	898
DIMENSIONS								
4.1	Mast tilt, forwards / backwards	α/β	°	5 / 7.5	5/7.5	5/7.5	5/7.5	5/7.5
4.2	Height with mast lowered (see tables)	h1	mm	2125	2125	2125	2125	2125
4.3	Free lift (see tables)	h2	mm	80	80	80	80	80
4.4	Lift height (see tables)	h3	mm	3290	3290	3290	3290	3290
4.5	Overall height with mast raised	h4	mm	4335	4335	4335	4335	4335
4.7	Height to top of overhead guard	h6	mm	2050	2050	2050	2050	2050
4.8	Seat height	h7	mm	1035	1035	1035	1035	1035
4.12	Tow coupling height	h10	mm	520	520	520	520	520
4.19	Overall length	l1	mm	3152	3152	3260	3260	3275
4.20	Length to fork face (includes fork thickness)	l2	mm	2002	2002	2110	2110	2125
4.21	Overall width	b1/b2	mm	1090	1090	1090	1090	1140
4.22	Fork dimensions (thickness, width, length)	s / e / l	mm	35 x 100 x 1150	35 x 100 x 1150	35 x 100 x 1150	35 x 100 x 1150	35 x 100 x 1150
4.23	Fork carriage to DIN 15 173 A/B/no			2A	2A	2A	2A	2A
4.24	Fork carriage width	b3	mm	920	920	920	920	920
4.31	Ground clearance under mast, with load	m1	mm	95	95	95	95	95
4.32	Ground clearance at center of wheelbase, with load (forks lowered)	m2	mm	95	95	95	95	95
4.33	Working aisle width with 1000 x 1200 mm pallets, crosswise	Ast	mm	3333	3333	3441	3441	3455
4.34a	Working aisle width with 800 x 1200 mm pallets, lengthwise	Ast	mm	3456	3456	3564	3564	3579
4.35	Turning circle radius	Wa	mm	1662	1662	1770	1770	1770
4.36	Minimum distance between centers of rotation	b13	mm	0	0	0	0	0
PERFORMANCE								
5.1	Travel speed, with / without load		km/h	17 / 17	17 / 17	17 / 17	17 / 17	17 / 17
5.2	Lifting speed, with / without load		m/s	0.52 / 0.62	0.46 / 0.62	0.52 / 0.62	0.46 / 0.62	0.62 / 0.42
5.3	Lowering speed, with / without load		m/s	0.56 / 0.56	0.56 / 0.56	0.56 / 0.56	0.56 / 0.56	0.56 / 0.56
5.5	Rated drawbar pull, with / without load		N	4900 / 5200	4800 / 5100	4900 / 5200	4800 / 5100	4700 / 5100
5.6	Maximum drawbar pull, with / without load (5 min short duty)		N	14900 / 15200	14900 / 15200	15000 / 15300	14900 / 15200	14800 / 15200
5.7	Gradeability, with / without load		%	15 / 25	14 / 23	15 / 26	14 / 23	12 / 21
5.8	Maximum gradeability, with / without load		%	27 / 35	26 / 35	27 / 35	26 / 35	24 / 35
5.9	Acceleration time (10 metres) with / without load		s	4.1 / 3.8	4.2 / 3.8	4.0 / 3.8	4.2 / 3.8	3.9 / 4.4
5.10	Service brakes (mechanical / hydraulic / electric / pneumatic)			electric	electric	electric	electric	electric
ELECTRIC MOTORS								
6.1	Drive motor capacity (60 min. short duty)		kW	2 x 5.5	2 x 5.5	2 x 5.5	2x5.5	2x5.5
6.2	Lift motor output at 15% duty factor		kW	10	10	10	10	10
6.3	Battery to DIN 43 531 / 35 / 36 A/B/C/no			DIN 43531 A/no	DIN 43531 A/no	DIN 43531 A/no	DIN 43531 A/no	DIN 43531 A/no
6.4	Battery voltage/capacity at 5-hour discharge		V/Ah	500-625	500-625	625-750	625-750	625-750
6.5	Battery weight		kg	679	679	679	812	812
6.6a	Energy consumption according to EN 16796		kWh/h	3.9	4.2	3.9	4.2	4.5
MISCELLANEOUS								
8.1	Type of drive control			AC	AC	AC	AC	AC
10.1	Maximum operating pressure for attachments		bar	210	210	210	210	210
10.2	Oil flow for attachments		l/min	30	30	30	30	30
10.7	Noise level, value at operator's ear (EN 12053)		dB(A)	65	65	65	65	65
10.8	Towing coupling design / DIN type, ref.			DIN15170-H	DIN15170-H	DIN15170-H	DIN15170-H	DIN15170-H

**EDIA EM**

**ELECTRIC COUNTERBALANCE**

**FB16 - 20A(C)N Series**

**4 wheel models**

1.6 - 2.0 tonnes



# MAST PERFORMANCE AND CAPACITY

**EDIA EM**

## FB16 - 20A(C)N Series

4 wheel models

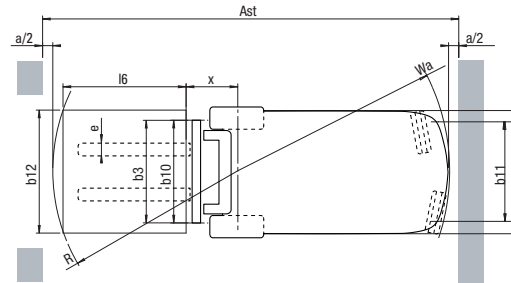
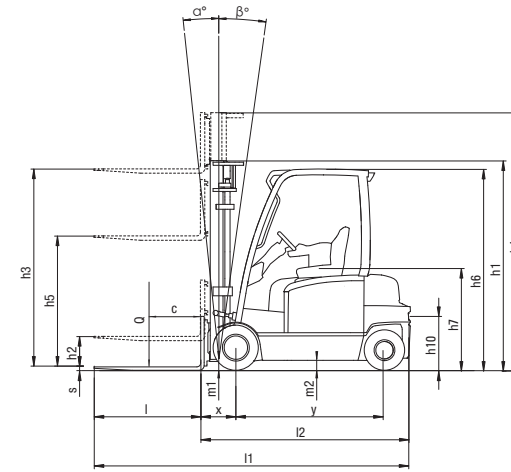


MAST TYPE	FB16-20A(C)N						FB16ACN	FB18ACN	FB16AN	FB18AN	FB20AN	
	h3 mm	h1 mm	h4 mm	h2 / h5 mm	tilt angle fwd / rew degrees		Q@ c=500 mm kg	Q@ c=500 mm kg	Q@ c=500 mm kg	Q@ c=500 mm kg	Q@ c=500 mm kg	
					STD	CABIN						
SIMPLEX	2000**	1480*	3045	80	5 / 6	N.A.	1600	1800	1600	1800	2000	
	2560**	1760*	3605	80	5 / 6	5 / 5	1600	1800	1600	1800	2000	
	2760**	1860*	3805	80	5 / 7.5	5 / 6	1600	1800	1600	1800	2000	
	3000	1980*	4045	80	5 / 7.5	5 / 6	1600	1800	1600	1800	2000	
	3290	2125	4335	80	5 / 7.5	5 / 7.5	1600	1800	1600	1800	2000	
	3530**	2245	4575	80	5 / 7.5	5 / 7.5	1600	1800	1600	1800	2000	
	3720	2385	4765	80	5 / 7.5	5 / 7.5	1600	1800	1600	1800	2000	
	4090	2570	5135	80	5 / 7.5	5 / 7.5	1600	1800	1600	1800	2000	
	4480	2775	5525	80	5 / 5	5 / 5	1600	1800	1600	1800	2000	
	5000	3035	6045	80	5 / 5	5 / 5	1525	1725	1600	1775	1950	
DUPLIX	2800**	1880*	3845	835	5 / 6	5 / 6	1600	1800	1600	1800	2000	
	3000	1980*	4045	935	5 / 6	5 / 6	1600	1800	1600	1800	2000	
	3295	2125	4340	1080	5 / 6	5 / 6	1600	1800	1600	1800	2000	
	3515**	2245	4560	1200	5 / 6	5 / 6	1600	1800	1600	1800	2000	
	3700	2385	4745	1340	5 / 6	5 / 6	1600	1800	1600	1800	2000	
	4030	2570	5075	1525	5 / 6	5 / 6	1600	1800	1600	1800	2000	
	TRIPLEX	3710	1780*	4755	735	5 / 6	5 / 3.5	1600	1800	1600	1800	2000
		4010	1880*	5055	835	5 / 6	5 / 3.5	1600	1800	1600	1800	2000
		4310	1980*	5355	935	5 / 6	5 / 5	1600	1800	1600	1800	2000
		4750	2125	5795	1080	5 / 6	5 / 5	1600	1750	1600	1800	2000
5090		2245	6135	1200	5 / 3.5	5 / 3.5	1550	1700	1600	1750	1925	
5490		2385	6535	1340	5 / 3.5	5 / 3.5	1500	1600	1550	1700	1900	
5990		2570	7035	1525	5 / 3.5	5 / 3.5	1400	1600	1450	1625	1800	
6490		2830	7535	1785	5 / 3.5	5 / 3.5	1350	1400	1400	1400	1600	
7000	3035	8045	1990	5 / 3.5	5 / 3.5	1100	1100	1100	1100	1300		

\* Lower than overhead guard \*\*CSM

BATTERY DIMENSIONS		16ACN	18ACN	16AN	18AN	20AN
Battery voltage	V	48	48	48	48	48
Capacity at a 5-hour discharge	Ah	500 / 625	500 / 625	625 / 750	625 / 750	625 / 750
Battery weight, Min.	kg	679 / 812	679 / 812	812 / 900	812 / 900	812 / 900
Battery weight, Max.	kg	1000 / 1000	1000 / 1000	1160 / 1160	1160 / 1160	1160 / 1160
BATTERY BOX DIMENSIONS						
Length	mm	522	522	630	630	630
Width	mm	830 / 1006	830 / 1006	830 / 1006	830 / 1006	830 / 1006
Height	mm	627	627	627	627	627
BATTERY COMPARTMENT SIZE						
Length	mm	532	532	640	640	640
Width	mm	850 / 1018	850 / 1018	850 / 1018	850 / 1018	850 / 1018
Height	mm	690 (660*)	690 (660*)	690 (660*)	690 (660*)	690 (660*)

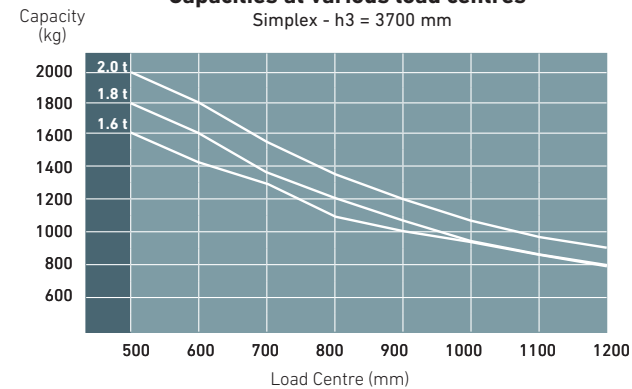
\*With battery exchange rolls



- Ast = Wa + R + a
- Ast = Working aisle width
- Wa = Turning radius
- a = Safety clearance = 2 x 100 mm
- R =  $\sqrt{(l6 + x)^2 + (b12 / 2 - b13)^2}$
- b12 = Pallet width (1200 mm)
- h1 = Height with mast lowered
- h2 = Standard free lift
- h3 = Lift height
- h4 = Height with mast raised
- h5 = Full free lift
- Q = Lifting capacity, rated load
- c = Load centre (distance)

### Capacities at various load centres

Simplex - h3 = 3700 mm



# STANDARD EQUIPMENT & OPTIONS

● = Standard

● = Option

	FB14ANT	FB16ACNT	FB18ACNT	FB16ANT	FB18ANT	FB20ANT	FB16ACN	FB18ACN	FB16AN	FB18AN	FB20AN
<b>GENERAL</b>											
<b>3 WHEEL MODELS</b>											
3- and 4- Wheel chassis, 48 Volts, front wheel drive	●	●	●	●	●	●	<b>4 WHEEL MODELS</b>				
Operator selectable economy or high performance modes ECO/PRO	●	●	●	●	●	●	●	●	●	●	●
Multifunctional colour display (Hour meter, BDI,...)	●	●	●	●	●	●	●	●	●	●	●
Lift tilt interlock and hydraulic and drive interlock / PDS	●	●	●	●	●	●	●	●	●	●	●
Tiltable steering column	●	●	●	●	●	●	●	●	●	●	●
Full electrical brakes	●	●	●	●	●	●	●	●	●	●	●
Battery compartment side door and opening battery hood cover	●	●	●	●	●	●	●	●	●	●	●
SST (Seat Switch Timeout: all functions are disabled – truck enters 'stop mode' and park brake is automatically applied)	●	●	●	●	●	●	●	●	●	●	●
Basic overhead guard	●	●	●	●	●	●	●	●	●	●	●
Trucktool setup and diagnostics	●	●	●	●	●	●	●	●	●	●	●
Rapid sideway battery exchange chassis (SWE)	●	●	●	●	●	●	●	●	●	●	●
Chassis-integrated roller bed (FOR BATTERY SWE)	●	●	●	●	●	●	●	●	●	●	●
Special (RAL) colour for frame	●	●	●	●	●	●	●	●	●	●	●
<b>HYDRAULIC</b>											
3 valve hydraulic fingertip control mounted on adjustable armrest	●	●	●	●	●	●	●	●	●	●	●
4th & 5th hydraulic options	●	●	●	●	●	●	●	●	●	●	●
Manual lever hydraulic control	●	●	●	●	●	●	●	●	●	●	●
Hydraulic accumulator for smoother load handling on rough surfaces	●	●	●	●	●	●	●	●	●	●	●
<b>MAST, FORKS AND CARRIAGE</b>											
Load Backrest	●	●	●	●	●	●	●	●	●	●	●
Passive sway control for mast at high lifts	●	●	●	●	●	●	●	●	●	●	●
Simplex, Duplex or Triplex masts, from 3m to 7m	●	●	●	●	●	●	●	●	●	●	●
Forks 900mm - 2000mm	●	●	●	●	●	●	●	●	●	●	●
Sideshifter W920mm	●	●	●	●	●	●	●	●	●	●	●
Integrated Sideshifter W920mm	●	●	●	●	●	●	●	●	●	●	●
Integrated Fork Positioner with sideshift	●	●	●	●	●	●	●	●	●	●	●
Load weight indicator, in 50kg increments	●	●	●	●	●	●	●	●	●	●	●
Performance reduction from 2m to 3.5m mast (above standard)	●	●	●	●	●	●	●	●	●	●	●
<b>DRIVE AND LIFT CONTROLS</b>											
Variable speed control on all hydraulic functions	●	●	●	●	●	●	●	●	●	●	●
Curve control	●	●	●	●	●	●	●	●	●	●	●
Armrest direction control	●	●	●	●	●	●	●	●	●	●	●
Automatic tilt centering via the F2 button on fingertip controller	●	●	●	●	●	●	●	●	●	●	●
Tilt centering second function. Two pcs. of angle memories	●	●	●	●	●	●	●	●	●	●	●
Forward-reverse direction selection lever on steering column	●	●	●	●	●	●	●	●	●	●	●
Dual pedal system - forward and reverse	●	●	●	●	●	●	●	●	●	●	●
Operator presence pedal	●	●	●	●	●	●	●	●	●	●	●

**EDIA EM**

**FB14-20 A(C)N(T) Series**

**ELECTRIC-POWERED FORKLIFT TRUCKS**

1.4 – 2.0 tonnes



Basic overhead guard.



Multifunctional colour display (Hour meter, BDI,...).



LED working lights, 2 front and 1 rear.



Manual lever hydraulic control.



Dual pedal system - forward and reverse.



Deluxe cabin



# STANDARD EQUIPMENT & OPTIONS

● = Standard  
● = Option

	FB14ANT	FB16ACNT	FB18ACNT	FB16ANT	FB18ANT	FB20ANT	FB16ACN	FB18ACN	FB16AN	FB18AN	FB20AN						
<b>ELECTRIC</b>						<b>3 WHEEL MODELS</b>						<b>4 WHEEL MODELS</b>					
LED working lights, 2 front and 1 rear	●	●	●	●	●	●	●	●	●	●	●						
Automated reversing light	●	●	●	●	●	●	●	●	●	●	●						
Automatic light switch	●	●	●	●	●	●	●	●	●	●	●						
Amber strobe light	●	●	●	●	●	●	●	●	●	●	●						
Road light kit	●	●	●	●	●	●	●	●	●	●	●						
Electronic back-up smart alarm	●	●	●	●	●	●	●	●	●	●	●						
"Blue Point" safety light, located rear and/or front	●	●	●	●	●	●	●	●	●	●	●						
Pin code access	●	●	●	●	●	●	●	●	●	●	●						
5V USB connector output 2x 2.5A (max. 4.4A)	●	●	●	●	●	●	●	●	●	●	●						
240W, 12V Power supply for accessories	●	●	●	●	●	●	●	●	●	●	●						
<b>OHG AND CABIN</b>						<b>4 WHEEL MODELS</b>											
Grammer MSG65 vinyl with seat belt switch	●	●	●	●	●	●	●	●	●	●	●						
Grammer MSG65 or MSG75 with options vinyl / cloth / heater / backrest extension / Armrest (MSG65)	●	●	●	●	●	●	●	●	●	●	●						
Swivel seat	●	●	●	●	●	●	●	●	●	●	●						
Plexi roof cover	●	●	●	●	●	●	●	●	●	●	●						
Panel cabin: Front screen with wiper + roof with crane opening	●	●	●	●	●	●	●	●	●	●	●						
Panel cabin: Economy. Front screen without wiper, plexi roof cover	●	●	●	●	●	●	●	●	●	●	●						
Panel cabin steel doors	●	●	●	●	●	●	●	●	●	●	●						
Panel cabin rear screen	●	●	●	●	●	●	●	●	●	●	●						
PVC doors	●	●	●	●	●	●	●	●	●	●	●						
Heater for cabin	●	●	●	●	●	●	●	●	●	●	●						
Interior package, including radio with speakers, roof lining, reading light.	●	●	●	●	●	●	●	●	●	●	●						
Deluxe cabin, including wind screen with wiper, roof, steel doors, heater and interior lining.	●	●	●	●	●	●	●	●	●	●	●						
Rear view mirror, Basic / Outside / Wide view	●	●	●	●	●	●	●	●	●	●	●						
List bracket - A4	●	●	●	●	●	●	●	●	●	●	●						
Storage plastic locker	●	●	●	●	●	●	●	●	●	●	●						
Sun visor	●	●	●	●	●	●	●	●	●	●	●						
Accessory rack	●	●	●	●	●	●	●	●	●	●	●						
RAM-Mounts dummy, D-series	●	●	●	●	●	●	●	●	●	●	●						
RAM-Mounts computer rack, C-series	●	●	●	●	●	●	●	●	●	●	●						
RAM-Mounts scanner rack, C-series	●	●	●	●	●	●	●	●	●	●	●						
Powder fire extinguisher	●	●	●	●	●	●	●	●	●	●	●						
Narrow Overhead guard for drive in racking	●	●	●	●	●	●	●	●	●	●	●						
<b>TYRES</b>						<b>4 WHEEL MODELS</b>											
Solid pneumatic tyres	●	●	●	●	●	●	●	●	●	●	●						
Solid non-marking tyres	●	●	●	●	●	●	●	●	●	●	●						
<b>ENVIRONMENT</b>						<b>4 WHEEL MODELS</b>											
Hot area hydraulic oil, VG46	●	●	●	●	●	●	●	●	●	●	●						
Cold area hydraulic oil, VG15	●	●	●	●	●	●	●	●	●	●	●						
Hydraulic oil food grade	●	●	●	●	●	●	●	●	●	●	●						
Bio grade oil	●	●	●	●	●	●	●	●	●	●	●						
Cold store option, (to -35C)	●	●	●	●	●	●	●	●	●	●	●						

## EDIA EM FB14-20 A(C)N(T) Series ELECTRIC-POWERED FORKLIFT TRUCKS

1.4 – 2.0 tonnes

# WHEN RELIABILITY IS EVERYTHING...



**EDiA**  
THE ELECTRIC DIAMOND

The family name EDiA appears proudly on our award-winning range of electric forklift trucks.

The reputation that Mitsubishi Forklift Trucks enjoys for endurance and reliability has likened them to the quality and enduring value of a diamond.

Like any product bearing the "MITSUBISHI" name our materials handling equipment benefits from the tremendous heritage, huge resources and cutting-edge technology of one of the world's largest corporations – Mitsubishi Heavy Industries Group.

Engineering spacecraft, jet planes, power plants and more, MHI specialises in those technologies where performance, dependability and superiority decide your success or failure...

So when we promise you quality, reliability and value for money, you know it's a guarantee we have the power to deliver.

That's why every model in our award-winning and comprehensive range of lift trucks and warehouse equipment is built to a high specification – to ensure it keeps working for you. Day after day. Year after year. Whatever the job. Whatever the conditions.

## YOU'LL NEVER WORK ALONE

As your local authorised dealer, we are here to keep your trucks working – through our extensive experience, our technical excellence and our commitment to customer care.

We are your local experts, backed by efficient channels to the entire organisation of Mitsubishi Forklift Trucks.

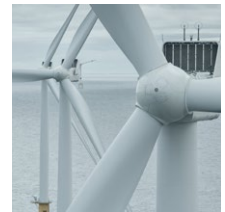
No matter where you are, we are close by – with the capability to meet your needs.

Discover how Mitsubishi Forklift Trucks give you more from your local authorised dealer or when you visit our website [www.mitforklift.com](http://www.mitforklift.com)

Performance specifications may vary depending on standard manufacturing tolerances, vehicle condition, types of tyres, floor or surface conditions, applications or operating environment. Trucks may be shown with non-standard options. Specific performance requirements and locally available configurations should be discussed with your distributor of Mitsubishi forklift trucks. We follow a policy of continual product improvement. For this reason, some materials, options and specifications could change without notice.

[mitforklift@mcf.nl](mailto:mitforklift@mcf.nl)

CESM2016 (03/20) © 2020 MCFE



Mitsubishi Caterpillar Forklift Europe B.V.  
Hefbrugweg 77, 1332 AM Almere  
The Netherlands  
Tel: +31 (0)36 5494 411



[mft2.eu/fb](http://mft2.eu/fb)



[mft2.eu/apps](http://mft2.eu/apps)



[mft2.eu/youtube](http://mft2.eu/youtube)



[mft2.eu/facebook](http://mft2.eu/facebook)

